

## Contrast

96636398 CONT3 12L70 RGBW NB HFX 6K ANT

|                |      |      |  |  |  |  |  |                           |
|----------------|------|------|--|--|--|--|--|---------------------------|
| ISO 9223<br>C5 | IP66 | IK08 |  |  |  |  |  | T <sub>a</sub> -20<br>+25 |
|----------------|------|------|--|--|--|--|--|---------------------------|

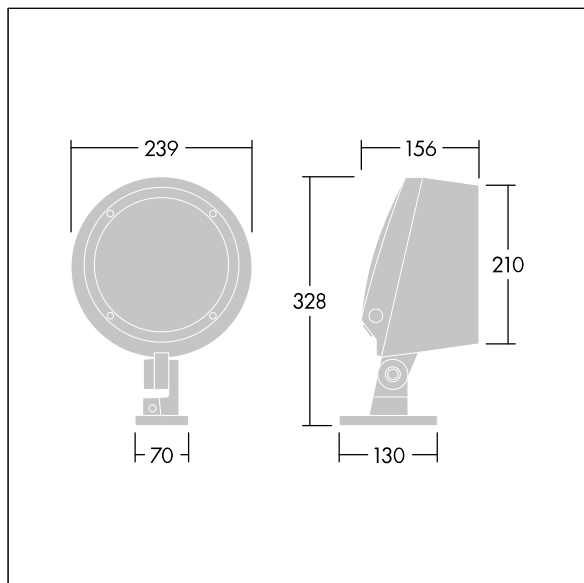
### Contrast

A medium architectural floodlight LED floodlight with 12 LEDs driven at 700mA and a narrow beam distribution. LED driver, DALI-2 dimmable. Class II electrical (this product is not earthed), IP66, IK08. Body: die-cast aluminium (EN AC-44300), powder coated, textured anthracite (close to RAL7043). Compatible with coastal environments. Glass: tempered, 5mm thick. Gasket: EPDM. Screws: geomet. Complete with RGBW LEDs (White = 830)

Dimensions: Ø239 x 156 mm  
 Luminaire input power: 32 W  
 Luminaire luminous flux: 1641 lm  
 Luminaire efficacy: 51 lm/W  
 Weight: 5.18 kg



TLG\_CON3\_F\_S\_12L.jpg



TLG\_CONL\_M\_12L.wmf

This product contains a light source of energy efficiency class D.

All values marked with an \* are rated values. Thorn uses tried and tested components from leading suppliers, however there may be isolated instances of technology-related failures of individual LEDs during the rated product lifetime. International standards set the tolerance in initial flux and connected load at ±10%. Unless stated otherwise, the values apply to an ambient temperature of 25°C.