

## Novaline Style

92973083 NOVS S 1900-840 D HF WH

IEC EN 60598-1 RG 1	RoHS	UK CA	11	IP54	D	halogen	IK08		CE			850°C	T <sub>a</sub> -15 +25
---------------------------	------	----------	----	------	---	---------	------	--	----	--	--	-------	---------------------------

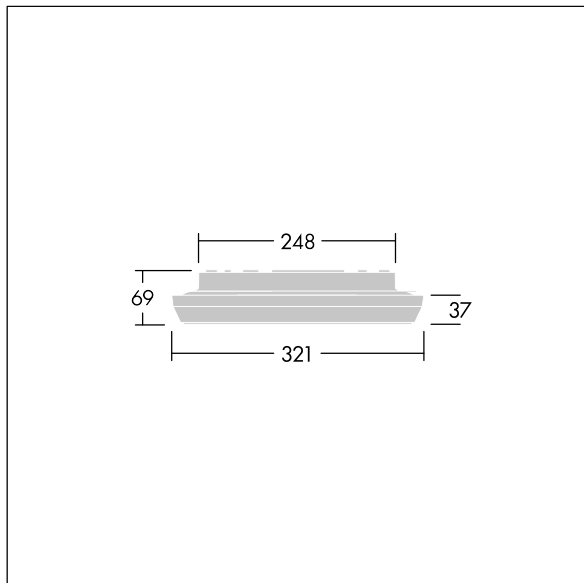
### Novaline Style

Decorative circular luminaire with small body and direct light distribution.. Electronic, fixed output control gear. Aesthetic trim of the luminaire made of polycarbonate in white. Diffuser: opal polycarbonate. Class II electrical (this product is not earthed), IP54. Complete with 4000K LED.

Dimensions: Ø320 x 69 mm  
 Luminaire input power: 13.2 W  
 Luminaire luminous flux: 1900 lm  
 Luminaire efficacy: 144 lm/W  
 Weight: 1.66 kg



TLG\_NOVS\_F\_3WH.jpg



TLG\_NOVS\_M\_LD300.wmf

This product contains a light source of energy efficiency class C.

All values marked with an \* are rated values. Thorn uses tried and tested components from leading suppliers, however there may be isolated instances of technology-related failures of individual LEDs during the rated product lifetime. International standards set the tolerance in initial flux and connected load at  $\pm 10\%$ . Unless stated otherwise, the values apply to an ambient temperature of 25°C.

Thorn Lighting is constantly developing and improving its products. The right is reserved to change specifications without prior notification or public announcement.  
 © Thorn Lighting

## Novaline Style

92973083 NOVS S 1900-840 D HF WH

THORN