

Novaline Style

96635527 NOVS S 1900-840 DI HF E3 WH

IEC EN 60598-1 RG 1	RoHS	UK CA	IP54	D	halogen	IK08		CE			850°C	T _a 0 +25
---------------------------	------	----------	------	---	---------	------	--	----	--	--	-------	-------------------------

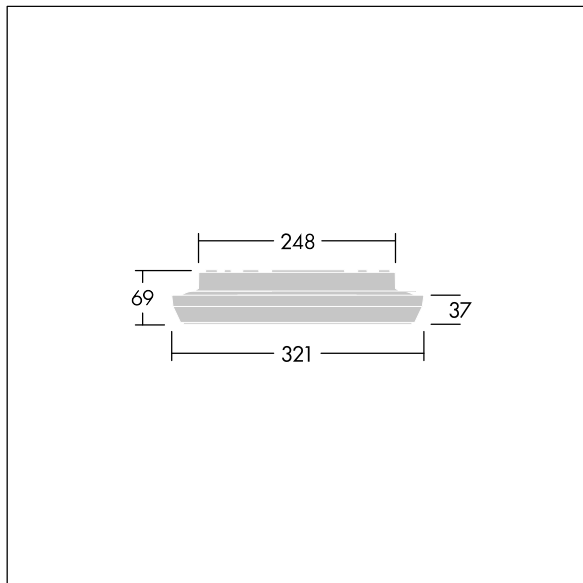
Novaline Style

Decorative circular luminaire with small body. Low indirect component for wall and ceiling illumination. Electronic, fixed output control gear with 3 hour, manual test, emergency lighting circuit. Aesthetic trim of the luminaire made of polycarbonate in white. Diffuser: opal polycarbonate. Class II electrical (this product is not earthed), IP54. Complete with 4000K LED.

Dimensions: Ø320 x 69 mm
 Luminaire input power: 13.2 W
 Luminaire luminous flux: 1900 lm
 Luminaire efficacy: 144 lm/W
 Weight: 1.94 kg



TLG_NOVS_F_3WH.jpg



TLG_NOVS_M_LD300.wmf

This product contains a light source of energy efficiency class C.

All values marked with an * are rated values. Thorn uses tried and tested components from leading suppliers, however there may be isolated instances of technology-related failures of individual LEDs during the rated product lifetime. International standards set the tolerance in initial flux and connected load at $\pm 10\%$. Unless stated otherwise, the values apply to an ambient temperature of 25°C.

Thorn Lighting is constantly developing and improving its products. The right is reserved to change specifications without prior notification or public announcement.
 © Thorn Lighting

Novaline Style

96635527 NOVS S 1900-840 DI HF E3 WH

THORN