

Glacier II

THORN

96635214 GLAC2 L LED3 3500-830 HFIX E3D BK GL PR

EN 55015	IP20	⊕	CE	⊗	⊗	⊗	T _a 25
----------	------	---	----	---	---	---	-------------------

Glacier II

A modern and efficient LED pendant luminaire. DALI dimmable control gear with 3 hour, Self/DALI Addressable test, emergency lighting circuit. Housing: die-cast aluminium with satin black finish. Reflector: prismatic glass with easy bayonet mount connection to housing. Class I electrical, IP20. Suspended via adjustable quick-lock 2.5m single wire suspension (supplied). Pre-wired with braided, flame retardant silicone cable, 6 x 0.75mm². Complete with 3000K LED

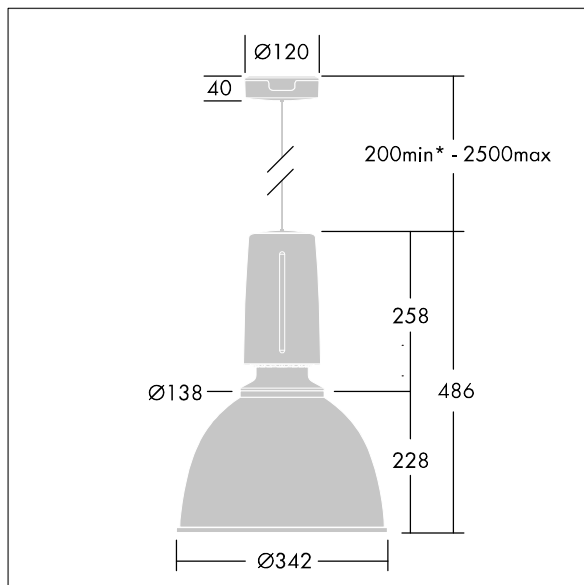
Dimensions: Ø340/140 x 485 mm

Luminaire input power: 27 W

Weight: 7.1 kg



TLG_GLCL_F_L_BKGLPR.jpg



TLG_GLCR_M_LED.wmf

This product contains a light source of energy efficiency class D.

All values marked with an * are rated values. Thorn uses tried and tested components from leading suppliers, however there may be isolated instances of technology-related failures of individual LEDs during the rated product lifetime. International standards set the tolerance in initial flux and connected load at ±10%. Unless stated otherwise, the values apply to an ambient temperature of 25°C.

Thorn Lighting is constantly developing and improving its products. The right is reserved to change specifications without prior notification or public announcement.
© Thorn Lighting