

Voyager Solid

THORN

96634940 VOYAGER SOLID L P MS HP ECP WH

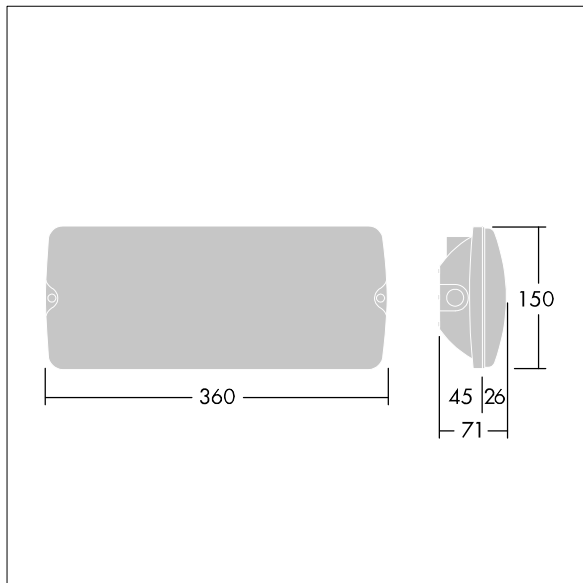
IEC EN 60598-1 RG 1	IP65	IK07	CE	T _a -20 +40
---------------------------	------	------	----	---------------------------

Voyager Solid

IP65 LED safety luminaire for surface ceiling mounting; semi-recessed mounting possible with optional mounting frame; luminaire for central emergency power supply, for central luminaire monitoring via powerline; settable emergency light level; non-maintained and maintained mode possible; addressing alternatively possible visually or via EZ-addressing; cable length from emergency power source to last luminaire: 200 m; housing made of polycarbonate white; cover made of transparent polycarbonate; tool-less 'click' mounting after fitting the housing base; quick fit terminal block, through wiring possible up to 2,5 mm²; zero maintenance thanks to LED technology; service life of 50,000 h; rated supply voltage: 220/240 V; luminaire input power: max. 8 W; degree of protection: IP65, class of protection: SC2; impact strength: IK07; dimensions: 360 x 71 x 150 mm; weight: 1,1 kg



TLG_VYSO_F_OPL.jpg



TLG_VYSO_M_LDL.wmf

All values marked with an * are rated values. Thorn uses tried and tested components from leading suppliers, however there may be isolated instances of technology-related failures of individual LEDs during the rated product lifetime. International standards set the tolerance in initial flux and connected load at $\pm 10\%$. Unless stated otherwise, the values apply to an ambient temperature of 25°C.

Thorn Lighting is constantly developing and improving its products. The right is reserved to change specifications without prior notification or public announcement.
© Thorn Lighting

Voyager Solid

96634940 VOYAGER SOLID L P MS HP ECP WH

THORN