

## Contrast

96633669 CONT3 12L105-830 NB HFX SP BK

ISO 9223 C5		IP66	IK08						T <sub>a</sub> -20 +35
----------------	--	------	------	--	--	--	--	--	---------------------------

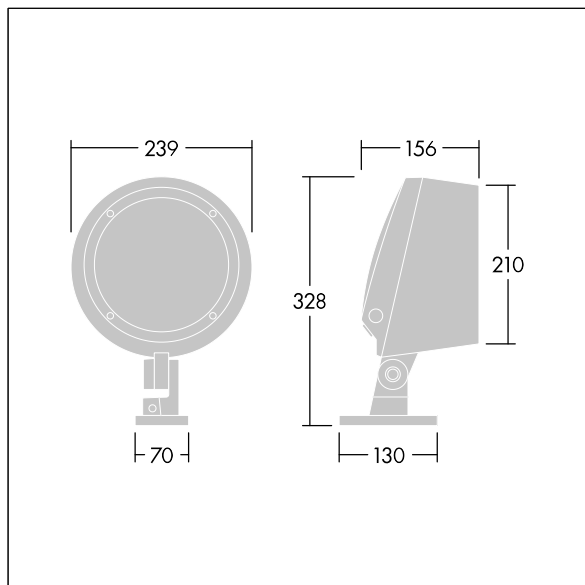
### Contrast

A medium architectural Bracket mounted LED floodlight with 12 LEDs driven at 1050mA and a narrow beam distribution. LED driver, DALI-2 dimmable. Class II electrical (this product is not earthed), IP66, IK08. Body: die-cast aluminium (EN AC-44300), powder coated, textured black (close to RAL9005). Compatible with coastal environments. Glass: tempered, 5mm thick. Gasket: EPDM. Screws: geomet. Equipped with 10kV / 10kA surge protection device. Complete with 3000K LED

Dimensions: Ø239 x 156 mm  
 Luminaire input power: 41 W  
 Luminaire luminous flux: 3891 lm  
 Luminaire efficacy: 95 lm/W  
 Weight: 5.07 kg



TLG\_CON3\_F\_S\_12L.jpg



TLG\_CONL\_M\_12L.wmf

This product contains a light source of energy efficiency class D.

All values marked with an \* are rated values. Thorn uses tried and tested components from leading suppliers, however there may be isolated instances of technology-related failures of individual LEDs during the rated product lifetime. International standards set the tolerance in initial flux and connected load at ±10%. Unless stated otherwise, the values apply to an ambient temperature of 25°C.

**Contrast**

**96633669 CONT3 12L105-830 NB HFX SP BK**

**THORN**