

Contrast

96633448 CONT3 12L70 722-840 NB BC 6K ANT

| | | | | | | | |
|----------------|------|------|--|--|--|--|---------------------------|
| ISO 9223 C5 | IP66 | IK08 | | | | | T _a -20 +25 |
|----------------|------|------|--|--|--|--|---------------------------|

Contrast

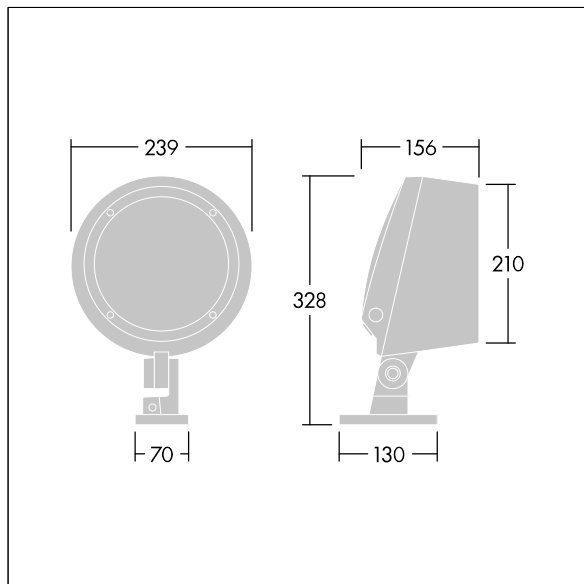
A medium architectural Bracket mounted LED floodlight with 12 LEDs driven at 700mA and a narrow beam distribution. LED driver, Wireless controlled via App with Bluetooth® 4.x - basicDIM Wireless. Class II electrical (this product is not earthed), IP66, IK08. Body: die-cast aluminium (EN AC-44300), powder coated, textured anthracite (close to RAL7043). Compatible with coastal environments. Glass: tempered, 5mm thick. Gasket: EPDM. Screws: geomet. Equipped with 10kV / 10kA surge protection device. Complete with 2200-4000K balanced white LEDs

Radio definition: basicDIM Wireless - Bluetooth® 4.x,
Radio frequency: 2.4...2.483 GHz, Radio power: +4 dBm

Dimensions: Ø239 x 156 mm
Luminaire input power: 29 W
Luminaire luminous flux: 2685 lm
Luminaire efficacy: 93 lm/W
Weight: 5.23 kg



TLG_CON3_F_S_12L.jpg



TLG_CONL_M_12L.wmf

This product contains a light source of energy efficiency class E.