

Voyager Star

96633243 VOYAGER STAR P MRCR ANT ECD SR

THORN



Voyager Star

High performance, ceiling recessed LED emergency lighting luminaire, with optic.. Housing: aluminium die casting alloy, powder coated silver grey (close to RAL 9006). Gear box for mounting in ceiling recess: IP20_IP40,. Lens: polycarbonate. Luminaire can be installed quickly and maintained without tools. Electrical connection (230VAC) via maximum 2.5mm² cable, loop in - loop out possible. Optimum thermal management via heat sink. Suitable for recessed installation in concrete casting surround (please order separately). Complete with LEDs.. Ceiling cutout Ø68mm in ceiling thicknesses 1-25mm.

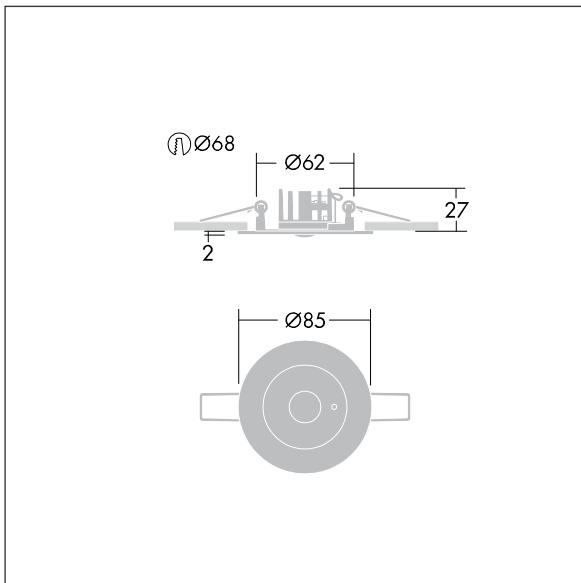
Luminaire input power: 3.7 W

Dimensions: Ø85 x 2 mm

Weight: 0.45 kg



TLG_VSTR_F_MRCR_ECx_ANT_SR.jpg



TLG_VYLD_M_MRE AREA.wmf

All values marked with an * are rated values. Thorn uses tried and tested components from leading suppliers, however there may be isolated instances of technology-related failures of individual LEDs during the rated product lifetime. International standards set the tolerance in initial flux and connected load at ±10%. Unless stated otherwise, the values apply to an ambient temperature of 25°C.

Thorn Lighting is constantly developing and improving its products. The right is reserved to change specifications without prior notification or public announcement.
© Thorn Lighting

Voyager Star

96633243 VOYAGER STAR P MRCR ANT ECD SR

THORN