

# Voyager Star

THORN

96633235 VOYAGER STAR P MRCR SPOT ECP WH



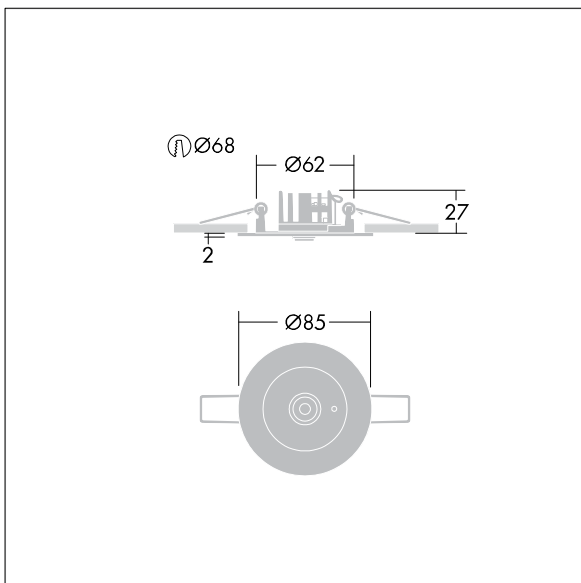
## Voyager Star

High performance, ceiling recessed LED emergency lighting luminaire, with optic.. Housing: aluminium die casting alloy, powder coated white (close to RAL9016). Gear box for mounting in ceiling recess:.. IP20\_IP40,.. Lens: polycarbonate. Luminaire can be installed quickly and maintained without tools. Electrical connection (230VAC) via maximum 2.5mm<sup>2</sup> cable, loop in - loop out possible. Optimum thermal management via heat sink. Suitable for recessed installation in concrete casting surround (please order separately). Complete with LEDs.. Ceiling cutout Ø68mm in ceiling thicknesses 1-25mm.

Luminaire input power: 3.6 W  
Dimensions: Ø85 x 2 mm  
Weight: 0.45 kg



TLG\_VSTR\_F\_MRCR\_ECx\_SPOT\_WH.jpg



TLG\_VYLD\_M\_MRE SPOT.wmf

All values marked with an \* are rated values. Thorn uses tried and tested components from leading suppliers, however there may be isolated instances of technology-related failures of individual LEDs during the rated product lifetime. International standards set the tolerance in initial flux and connected load at ±10%. Unless stated otherwise, the values apply to an ambient temperature of 25°C.

Thorn Lighting is constantly developing and improving its products. The right is reserved to change specifications without prior notification or public announcement.  
© Thorn Lighting