

## Steel Wall Brackets

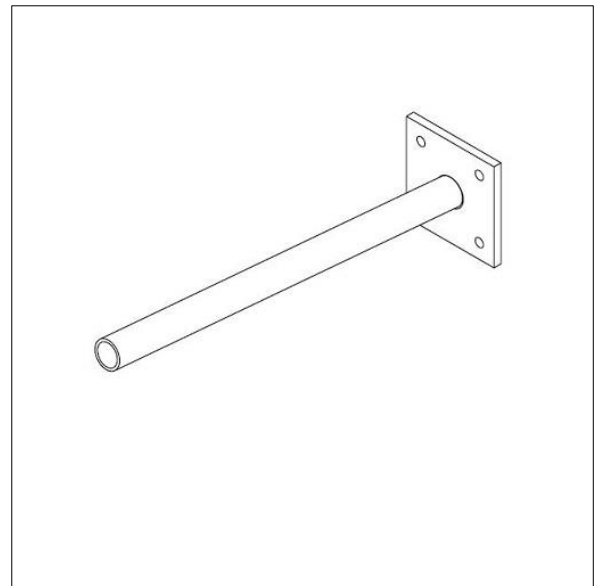
96632784 STEEL WALL BRACKET 0.5M 5° TILT SE 42MM

### Steel Wall Brackets

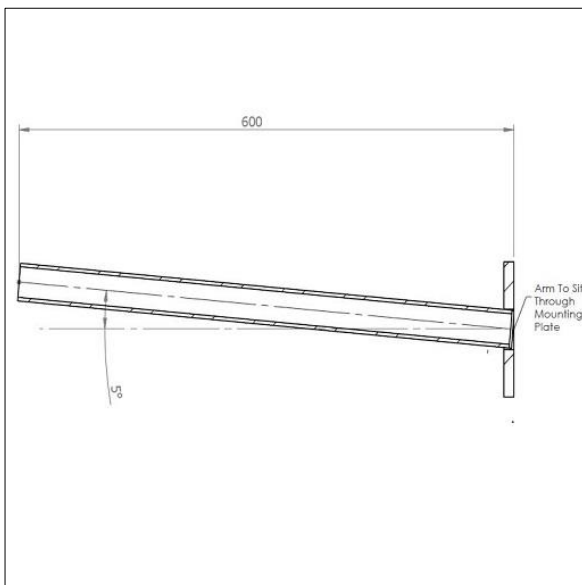
0.5m projection steel wall bracket with 5° tilt for side entry mounting Ø42mm. Galvanised to BSEN 1461:2009

Weight: 3.73 kg (approx)

Please note : Delivery charges will apply to this item.



TLG\_COLU\_F\_BRKT0\_5.jpg



TLG\_COLU\_M\_BRKT0\_5.wmf