

Steel Wall Brackets

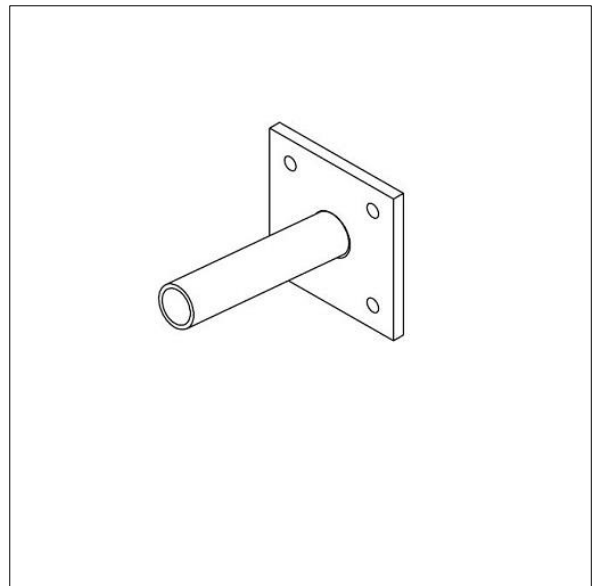
96632783 STEEL WALL BRACKET 0.1M 5° TILT SE 42MM

Steel Wall Brackets

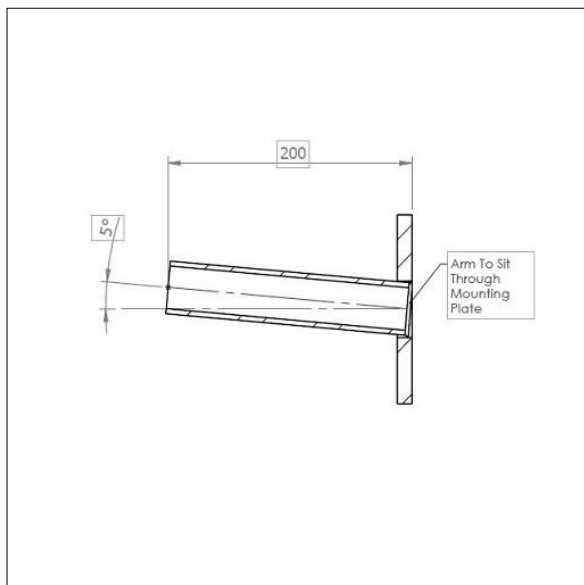
0.1m projection steel wall bracket with 5° tilt for side entry mounting Ø42mm. Galvanised to BSEN 1461:2009

Weight: 2.4 kg (approx)

Please note : Delivery charges will apply to this item.



TLG_COLU_F_BRKT0_1.jpg



TLG_COLU_M_BRKT0_1.wmf