

Steel Tapered Columns and Accessories

THORN

96632720 FLOOD BRAX1 0.5M FOR ALL TAP COL*

Steel Tapered Columns and Accessories

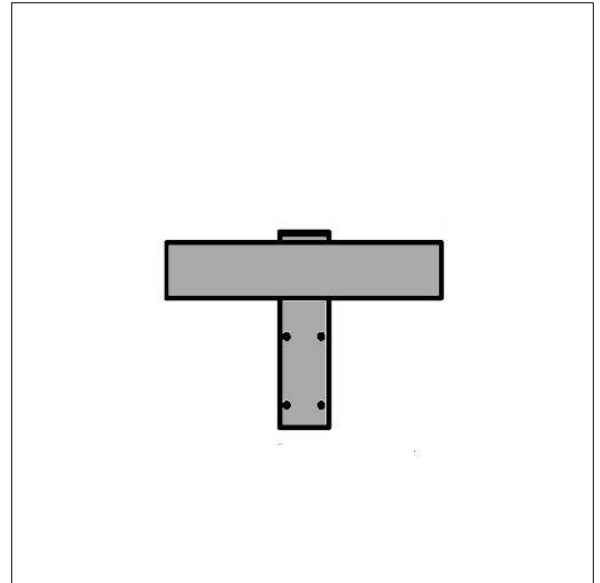
Single 500mm floodlighting bracket for stirrup mounting a single floodlight

Weight: 6.22 kg (approx)

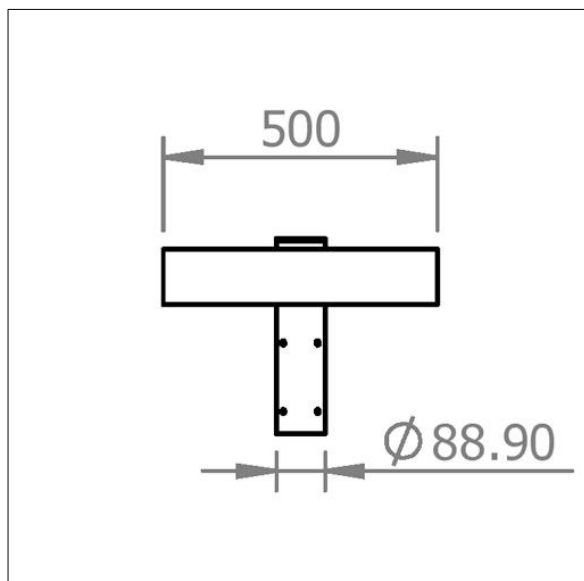
This bracket is suitable for use with the following columns:

- 96632723 : 3m tapered column, root mounted, Ø76mm top spigot
- 96632724 : 3m tapered column, flange mounted, Ø76mm top spigot
- 96632703 : 4m tapered column, root mounted, Ø76mm top spigot
- 96632704 : 4m tapered column, flange mounted, Ø76mm top spigot
- 96632705 : 5m tapered column, root mounted, Ø76mm top spigot
- 96632706 : 5m tapered column, flange mounted, Ø76mm top spigot
- 96632707 : 6m tapered column, root mounted, Ø76mm top spigot
- 96632708 : 6m tapered column, flange mounted, Ø76mm top spigot
- 96632709 : 8m tapered column, root mounted, Ø76mm top spigot
- 96632710 : 8m tapered column, flange mounted, Ø76mm top spigot
- 96632711 : 10m tapered column, root mounted, Ø76mm top spigot
- 96632712 : 10m tapered column, flange mounted, Ø76mm top spigot
- 96632713 : 12m tapered column, root mounted, Ø76mm top spigot
- 96632714 : 12m tapered column, flange mounted, Ø76mm top spigot

Please note : Delivery charges will apply to this item.



TLG_COLU_F_BRF15.jpg



TLG_COLU_M_BRF15.wmf

All values marked with an * are rated values. Unless stated otherwise, the values apply to an ambient temperature of 25°C.

Thorn Lighting is constantly developing and improving its products. The right is reserved to change specifications without prior notification or public announcement.
© Thorn Lighting