

R2L2

96629823 R2L2 BRAX2 MA76 0,80M GRY UK

R2L2

Twin arm bracket, with 10° tilt and welded decorative insert, for mounting R2L2 luminaire(s) on Ø76mm column.
 Material: galvanised steel, painted texturised light grey.
 Supplied in one piece with cable puller. Secured in position by 2 rows of 3 screws at 120°.

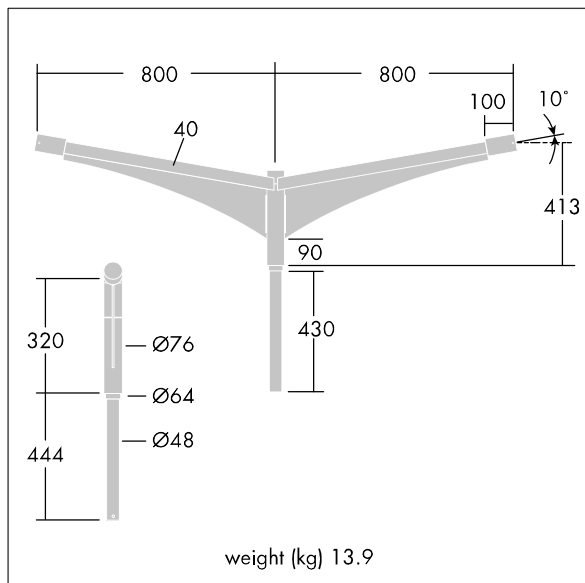
Dimensions: 1600 x 60 x 850 mm

Weight: 2.65 kg

Scx:0.169 m²



TLG_R2L2_F_TWINGCOLM.jpg



TLG_R2L2_M_BRKDBL_76.wmf