

Steel Stepped Columns and Accessories

THORN

96632584 FLOOD BRAX1 0.5M FOR STEP COL 12M

Steel Stepped Columns and Accessories

Single 500mm floodlighting bracket for stirrup mounting a single floodlight

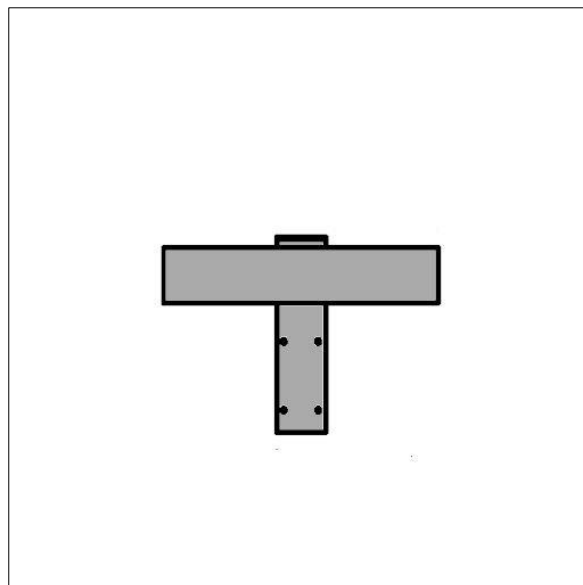
Weight: 8.61 kg (approx)

This bracket is suitable for use with the following columns:

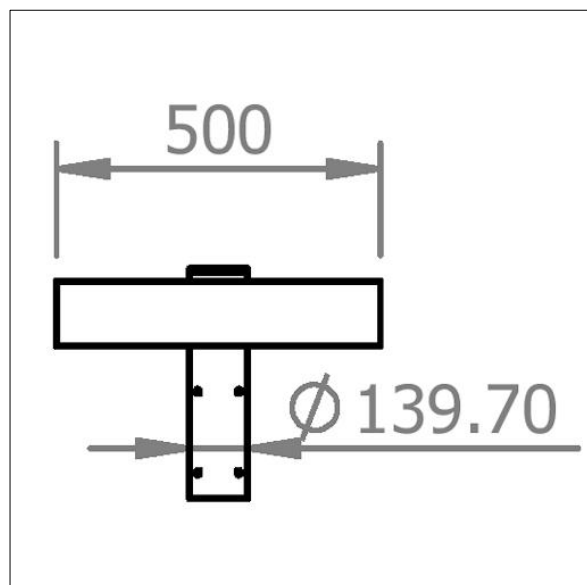
96632563 : 12m stepped column, root mounted, Ø127mm top spigot

96632564 : 12m stepped column, flange mounted, Ø127mm top spigot

Please note : Delivery charges will apply to this item.



TLG_COLU_F_BRF15.jpg



TLG_COLU_M_BRF112.wmf