

# Steel Stepped Columns and Accessories

THORN

96632582 BRAX1 1M FOR STEP COL 12M SE 42MM

## Steel Stepped Columns and Accessories

Single 1000mm outreach arm bracket for side entry mounting  $\varnothing 42\text{mm}$ .

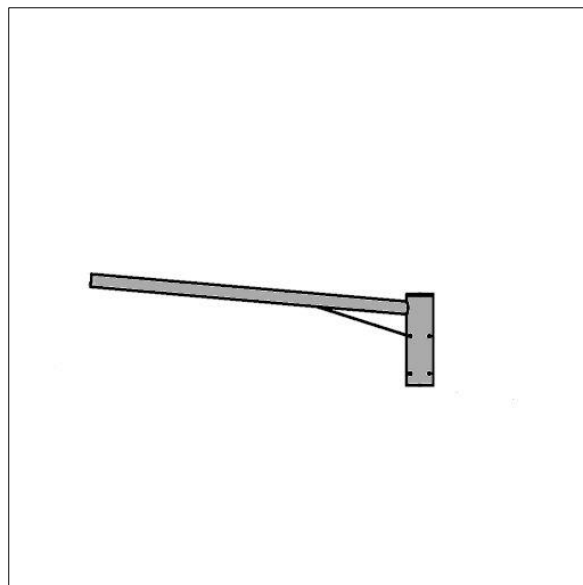
Weight: 9.61 kg (approx)

This bracket is suitable for use with the following columns:

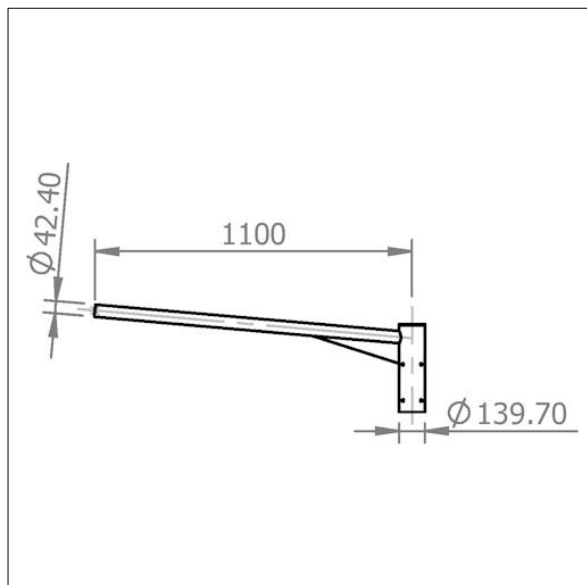
96632563 : 12m stepped column, root mounted,  $\varnothing 127\text{mm}$  top spigot

96632564 : 12m stepped column, flange mounted,  $\varnothing 127\text{mm}$  top spigot

Please note : Delivery charges will apply to this item.



TLG\_COLU\_F\_BRL18.jpg



TLG\_COLU\_M\_BRL112.wmf