

Steel Stepped Columns and Accessories

THORN

96632579 FLOOD BRAX2/4 1M FOR STEP COL 10M

Steel Stepped Columns and Accessories

Twin 1000mm floodlighting bracket for stirrup mounting 2 or 4 floodlights

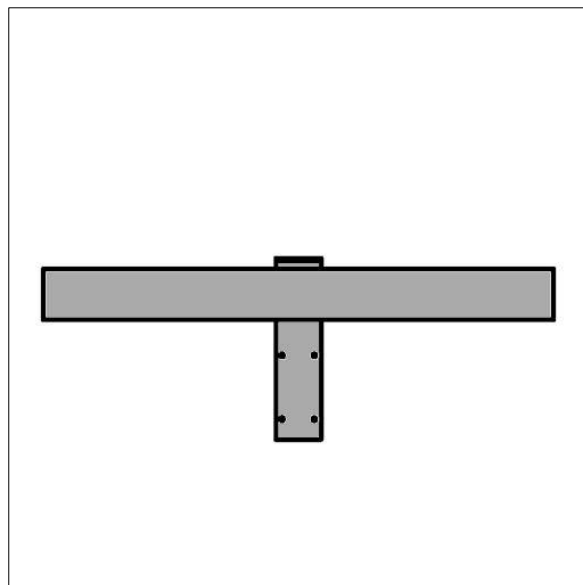
Weight: 10.56 kg (approx)

This bracket is suitable for use with the following columns:

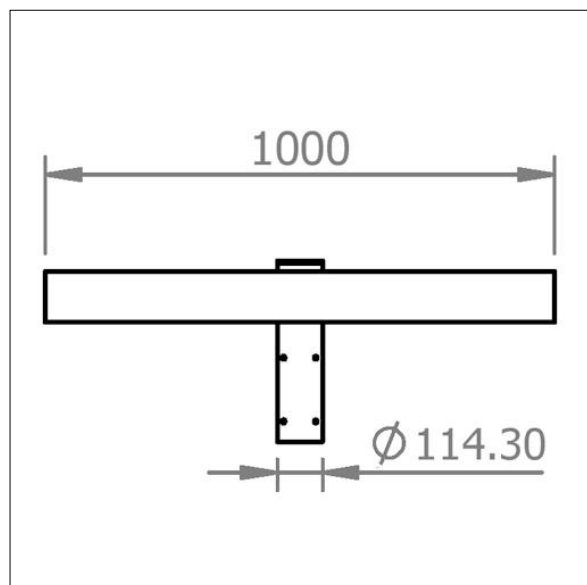
96632561 : 10m stepped column, root mounted, Ø102mm top spigot

96632562 : 10m stepped column, flange mounted, Ø102mm top spigot

Please note : Delivery charges will apply to this item.



TLG_COLU_F_BRF25.jpg



TLG_COLU_M_BRF210.wmf