

Steel Stepped Columns and Accessories

THORN

96632576 BRAX1 1M FOR STEP COL 10M SE 42MM

Steel Stepped Columns and Accessories

Single 1000mm outreach arm bracket for side entry mounting $\text{Ø}42\text{mm}$.

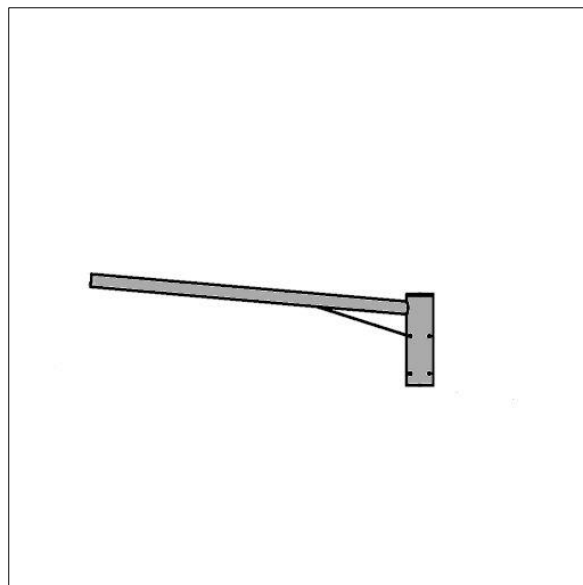
Weight: 8.14 kg (approx)

This bracket is suitable for use with the following columns:

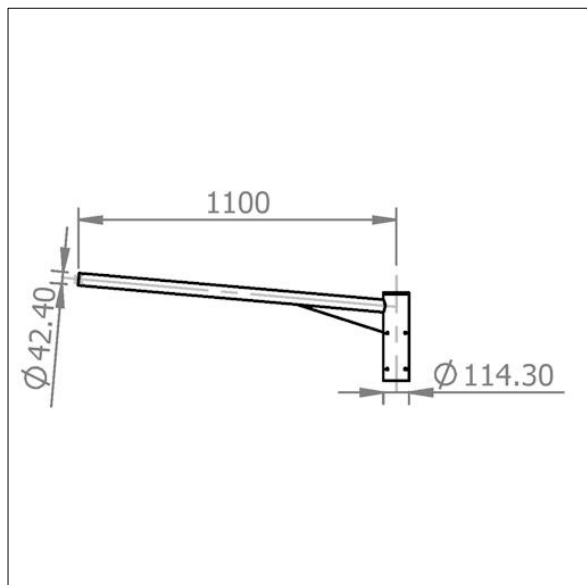
96632561 : 10m stepped column, root mounted, $\text{Ø}102\text{mm}$ top spigot

96632562 : 10m stepped column, flange mounted, $\text{Ø}102\text{mm}$ top spigot

Please note : Delivery charges will apply to this item.



TLG_COLU_F_BRL18.jpg



TLG_COLU_M_BRL110.wmf