

# Steel Stepped Columns and Accessories

## 96632570 ADAPTOR FOR STEP COL 8M 89MM-60MM\*

THORN

### Steel Stepped Columns and Accessories

Post top adaptor to fit on Ø89mm top spigot to reduce to Ø60mm spigot.

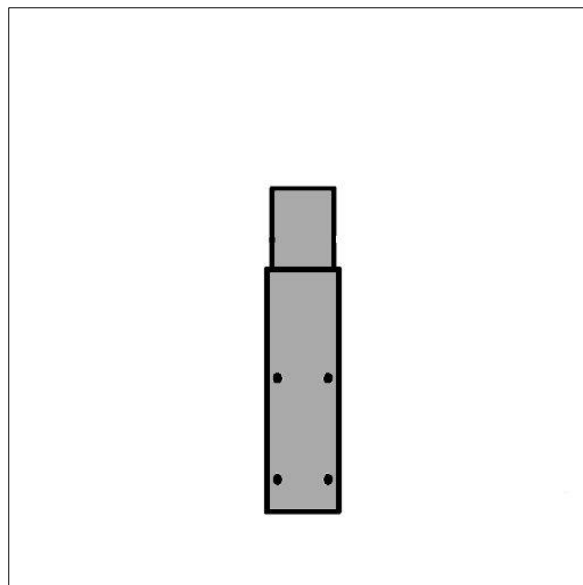
Weight: 3.43 kg (approx)

This adaptor is suitable for use with the following columns:

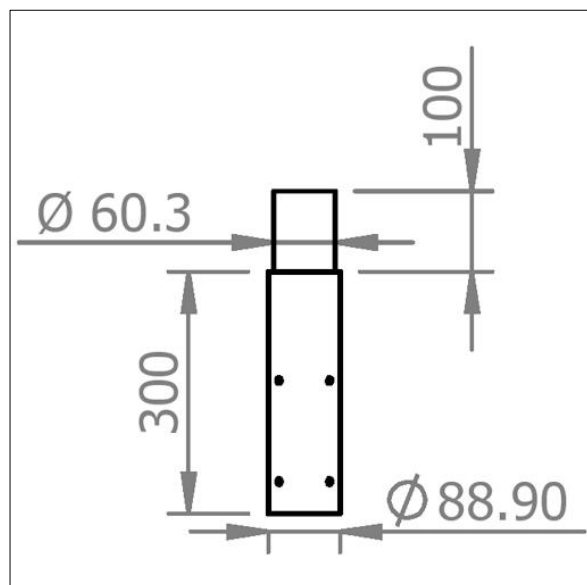
96632559 : 8m stepped column, root mounted, Ø89mm top shaft

96632560 : 8m stepped column, flange mounted, Ø89mm shaft

Please note : Delivery charges will apply to this item.



TLG\_COLU\_F\_ADA86.jpg



TLG\_COLU\_M\_ADA86.wmf

All values marked with an \* are rated values. Unless stated otherwise, the values apply to an ambient temperature of 25°C.

Thorn Lighting is constantly developing and improving its products. The right is reserved to change specifications without prior notification or public announcement.  
© Thorn Lighting