

Steel Stepped Columns and Accessories

THORN

96632568 FLOOD BRAX1 0.5M STEP COL 3/4/5/6/8M*

Steel Stepped Columns and Accessories

Single 500mm floodlighting bracket for stirrup mounting a single floodlight

Weight: 6.22 kg (approx)

This bracket is suitable for use with the following columns:

96632725 : 3m stepped column, root mounted, Ø76mm top spigot

96632726 : 3m stepped column, flange mounted, Ø76mm top spigot

96632727 : 4m stepped column, root mounted, Ø76mm top spigot

96632728 : 4m stepped column, flange mounted, Ø76mm top spigot

96632555 : 5m stepped column, root mounted, Ø76mm top spigot

96632556 : 5m stepped column, flange mounted, Ø76mm top spigot

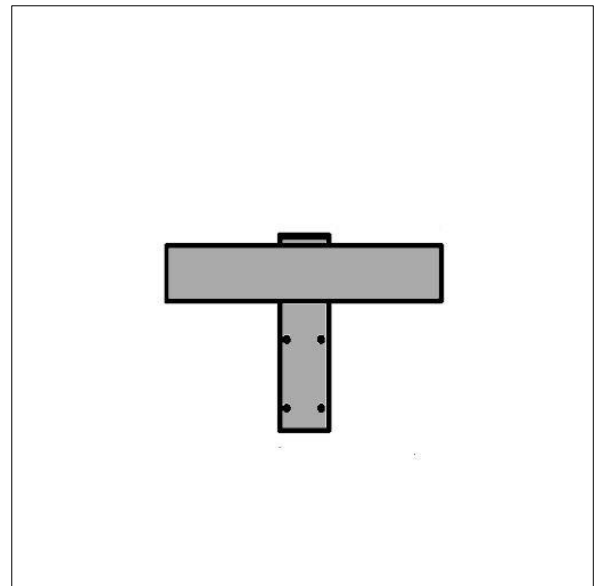
96632557 : 6m stepped column, root mounted, Ø76mm top spigot

96632558 : 6m stepped column, flange mounted, Ø76mm top spigot

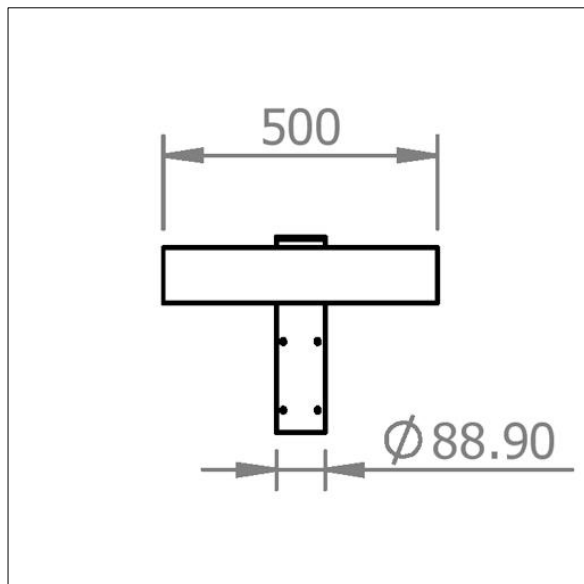
96632559 : 8m stepped column, root mounted, Ø89mm shaft

96632560 : 8m stepped column, flange mounted, Ø89mm shaft

Please note : Delivery charges will apply to this item.



TLG_COLU_F_BRF15.jpg



TLG_COLU_M_BRF15.wmf

All values marked with an * are rated values. Unless stated otherwise, the values apply to an ambient temperature of 25°C.

Thorn Lighting is constantly developing and improving its products. The right is reserved to change specifications without prior notification or public announcement.
© Thorn Lighting