

R2L2

96631841 RX 36L105-740 NR BS 3550 CL1 GY

ISO 9223 C5	IP66	IK09	⊕	CE				Ta25
----------------	------	------	---	----	---	---	---	------

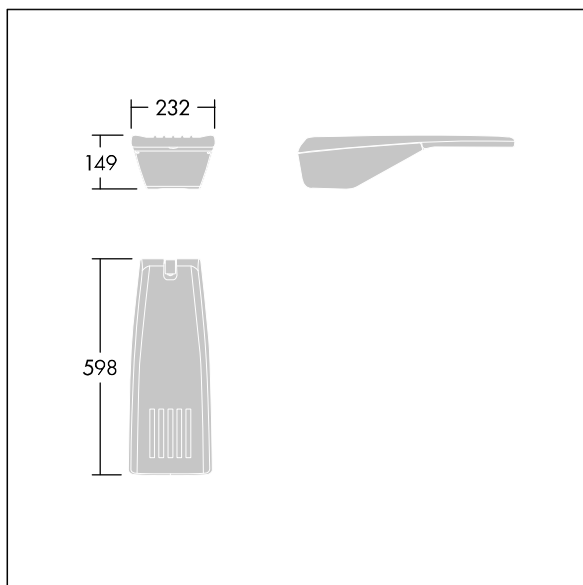
R2L2

An extra small size LED road lighting lantern with 36 LEDs driven at 1.05A with Narrow Road optic. Programmable LED driver. Class I electrical, IP66, IK09. Housing: die-cast aluminium (EN AC-44300), powder coated textured light grey 150 (close to RAL9006). Enclosure: tempered glass. Screws: stainless steel, Ecolubric® treated. Post top (Ø60/76mm, tilted 0°/5°/10°) or lateral (Ø34/42/49/60mm, tilted 0°/-5°/-10°/-15°) mounting. For lateral mounting to Ø34/42mm spigots an adaptor (59005840 R2L2 MA34/42 NPA) should be ordered separately. Equipped with 50% power reduction circuit, effective 3 hours before and 5 hours after a calculated midnight. It can be deactivated at installation with an easily accessible internal switch. Complete with 4000K LED.

Dimensions: 598 x 232 x 149 mm
 Luminaire input power: 115 W
 Luminaire luminous flux: 16428 lm
 Luminaire efficacy: 143 lm/W
 Weight: 7.7 kg
 Scx: 0.05 m²



TLG_R2L2_F_XS_MTP_PDBGY.jpg



TLG_R2L2_M_LDXS.wmf

This product contains a light source of energy efficiency class E.