

## Raze Bollard

96631724 RAW 1L20-730 WP HF CL1 6K ANT

ISO 9223 C5	IP66	IK10	⊕	CE				
----------------	------	------	---	----	--	--	--	--

### Raze Bollard

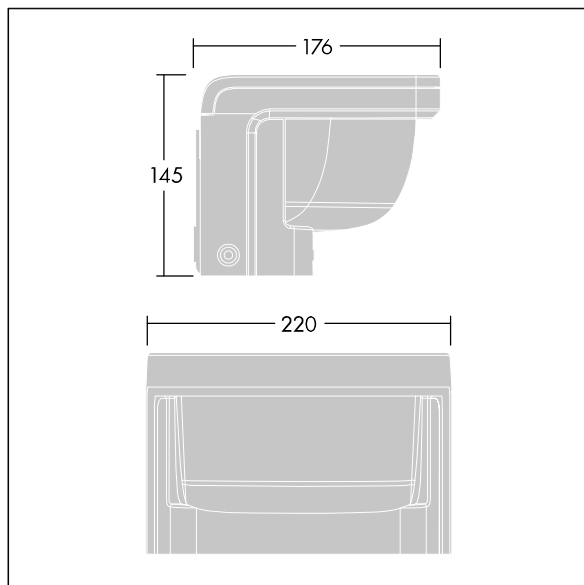
A wall mounted LED luminaire, incorporating Thorn's Flat beam® technology. 1 LED driven at 200mA. Integral LED driver included. Class I electrical, IP66, IK10. Housing: die-cast aluminium (EN44300, compatible with seaside installation), powder coated, textured anthracite (close to RAL7043). Bowl: UV stabilised polycarbonate, semi-frosted. Fasteners: stainless steel. Complete with 3000K LED.

6kV surge protection as standard.

Dimensions: 176 x 220 x 145 mm  
 Luminaire input power: 9 W  
 Luminaire luminous flux: 699 lm  
 Luminaire efficacy: 78 lm/W  
 Weight: 2.77 kg



TLG\_RAZB\_F\_HEAD\_PDB.jpg



TLG\_RAZB\_M\_HEAD.wmf

This product contains a light source of energy efficiency class D.

All values marked with an \* are rated values. Thorn uses tried and tested components from leading suppliers, however there may be isolated instances of technology-related failures of individual LEDs during the rated product lifetime. International standards set the tolerance in initial flux and connected load at ±10%. Unless stated otherwise, the values apply to an ambient temperature of 25°C.