

# Voyager Style

THORN

96631611 VOYAGER STYLE 150 MS ECC SM-S WH

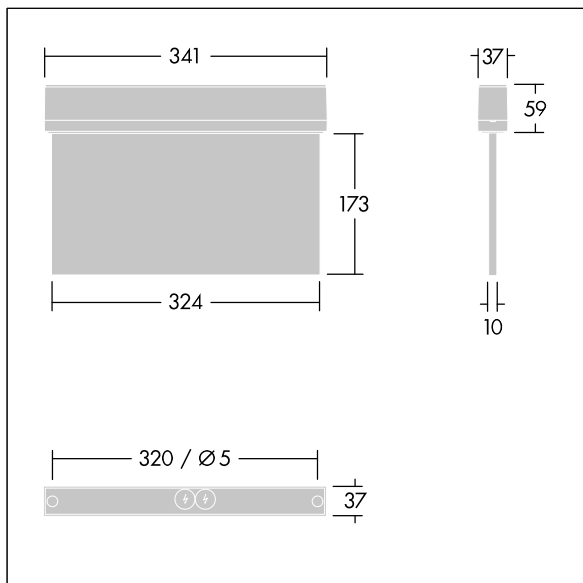
IP43 IK03   $T_{a-10}$   
 $+40$

## Voyager Style

Ultra slim LED escape sign luminaire for surface mounted, wall or ceiling mounting; recessed ceiling mounting possible with optional recessed ceiling frame; Luminaire for central emergency light supply, with circuit monitoring, without single monitoring of the luminaire; ; housing made of polycarbonate ; luminaire easy to install; Quick fit terminal block, through wiring possible up to 2,5 mm<sup>2</sup>; supplied with a set of ISO 7010 mountable direction signs (left, right, up, down and blank) for viewing from a maximum distance of 30 m; mounting of signs with discrete mounting pins; zero maintenance thanks to LED technology; service life of 50,000 h at constant luminous flux; uniform backlighting of pictogram; luminance > 500 cd/m<sup>2</sup> in the white region; Power supply: 220/240 V AC; Luminaire input power: 6.3 W; degree of protection: IP43, class of protection: Class II electrical (this product is not earthed); Impact strength: Impact strength: IK03; Dimensions: 341 x 37 x 230 mm; weight: 1.02 kg



TLG\_VYST\_F\_150MS\_RT.jpg



TLG\_VYST\_M\_150MS.wmf

All values marked with an \* are rated values. Unless stated otherwise, the values apply to an ambient temperature of 25°C.

Thorn Lighting is constantly developing and improving its products. The right is reserved to change specifications without prior notification or public announcement.  
© Thorn Lighting