

# Voyager Solid

THORN

96629765 VOYAGER SOLID L MS E3T-S WH

IEC EN 60598-1 RG 1	IP65	IK07	CE	T <sub>a</sub> 5 40
---------------------------	------	------	----	------------------------

## Voyager Solid

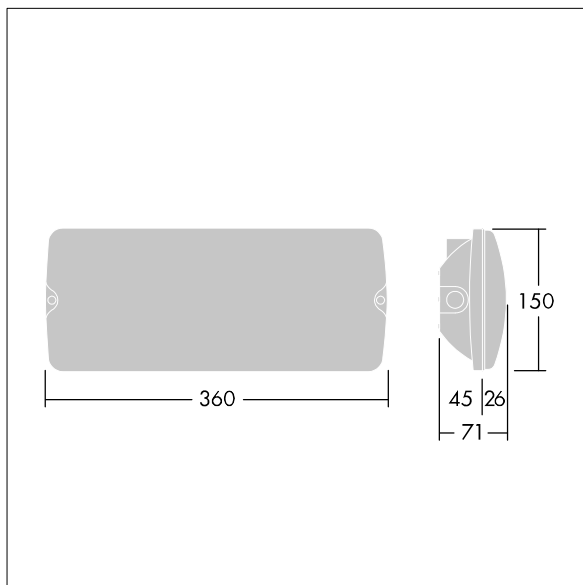
Surface mounted LED emergency lighting luminaire for ceiling and wall. Electronic, fixed output control gear Luminaire with local battery supply for 3 h emergency lighting in maintained or non-maintained mode, with automatic test (auto-test) via the luminaire, display of luminaire status via status LED. Body: large size, white polycarbonate. Cover: transparent polycarbonate. Class II electrical (this product is not earthed), IP65. Internal ISO legends available for 26m viewing distance (96629768, to be ordered separately).

Self-contained emergency luminaires rely on long-lasting batteries. Thorn batteries are robust and comes with a three-year guarantee (applicable subject to the terms and conditions of and to the extent as set forth in the manufacturer's guarantee on Thorn products, which shall be applicable analogously and which is available under [http://www.thornlighting.com/en/products/5-year-guarantee/5-year-warranty/terms-of-guarantee\\_en.pdf](http://www.thornlighting.com/en/products/5-year-guarantee/5-year-warranty/terms-of-guarantee_en.pdf). The battery guarantee shall not come into effect if the product has been installed later than three(3) months after delivery EXW (Incoterms 2010).

Dimensions: 360 x 150 x 71 mm  
Luminaire input power: 3.5 W  
Weight: 0.9 kg



TLG\_VYSO\_F\_OPL.jpg



TLG\_VYSO\_M\_LDL.wmf

All values marked with an \* are rated values. Thorn uses tried and tested components from leading suppliers, however there may be isolated instances of technology-related failures of individual LEDs during the rated product lifetime. International standards set the tolerance in initial flux and connected load at  $\pm 10\%$ . Unless stated otherwise, the values apply to an ambient temperature of 25°C.

Thorn Lighting is constantly developing and improving its products. The right is reserved to change specifications without prior notification or public announcement.  
© Thorn Lighting