

# Glacier II

THORN

96629697 GLAC2 S LED2 1000-830 HFIX EC GY GL OP

IP20      T<sub>a</sub>25

## Glacier II

A modern and efficient LED pendant luminaire. DALI dimmable control gear suitable for central battery emergency installations. Housing: die-cast aluminium with satin grey finish. Reflector: opal glass with easy bayonet mount connection to housing. Class I electrical, IP20. Suspended via adjustable quick-lock 2.5m single wire suspension (supplied). Pre-wired with braided, flame retardant silicone cable, 5 x 0.75mm<sup>2</sup>. Complete with 3000K LED

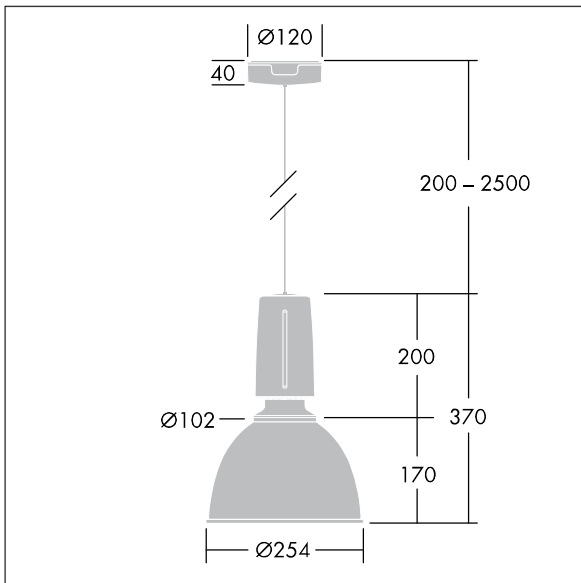
Dimensions: Ø250/100 x 370 mm

Luminaire input power: 8.5 W

Weight: 2.5 kg



TLG\_GLCL\_F\_S\_GYGLOP.jpg



TLG\_GLCR\_M\_2SML.wmf

This product contains a light source of energy efficiency class D.

All values marked with an \* are rated values. Thorn uses tried and tested components from leading suppliers, however there may be isolated instances of technology-related failures of individual LEDs during the rated product lifetime. International standards set the tolerance in initial flux and connected load at  $\pm 10\%$ . Unless stated otherwise, the values apply to an ambient temperature of 25°C.

Thorn Lighting is constantly developing and improving its products. The right is reserved to change specifications without prior notification or public announcement.  
© Thorn Lighting