

LED Fit

THORN

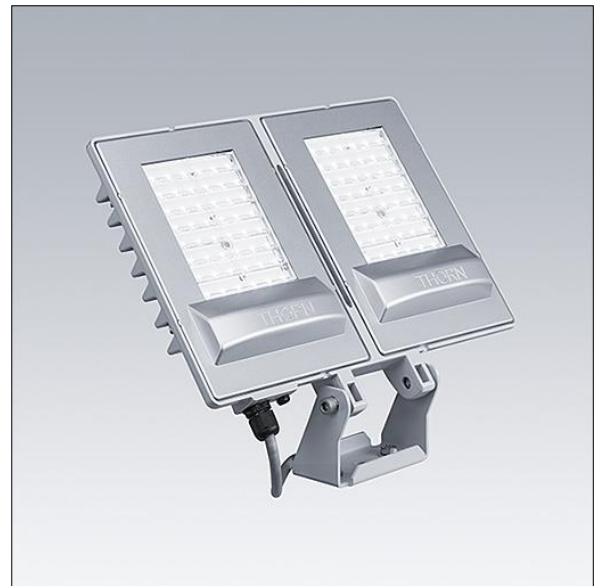
96628333 LEDFIT M 90W A/S CL1 L840



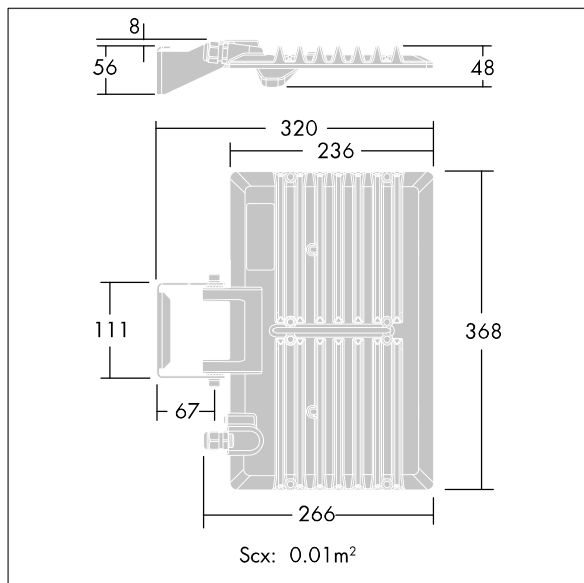
LED Fit

A simple, ultra lightweight, medium LED area floodlight with true asymmetric optic. Integral fixed output control gear. Class I electrical, IP66, Impact strength: IK07. Body: die-cast aluminium Light grey 150 sanded textured (close to RAL9006). Stirrup: aluminium. Visor: polycarbonate with external surface powder coated Light grey 150 sanded textured (close to RAL9006). Pre-wired with 0.6m cable. Stirrup can be fixed by one M10 and/or two M8 fixation points, it is reversible allowing different mounting positions. Complete with 4000K LED.

Dimensions: 368 x 236 x 48 mm
Luminaire input power: 90 W
Luminaire luminous flux: 9000 lm
Luminaire efficacy: 100 lm/W
weight: 3 kg



TLG_LEDF_F_MPDB.jpg



TLG_LEDF_M_90W.wmf

All values marked with an * are rated values. Thorn uses tried and tested components from leading suppliers, however there may be isolated instances of technology-related failures of individual LEDs during the rated product lifetime. International standards set the tolerance in initial flux and connected load at ±10%. Unless stated otherwise, the values apply to an ambient temperature of 25°C.

Thorn Lighting is constantly developing and improving its products. The right is reserved to change specifications without prior notification or public announcement.
© Thorn Lighting

LED Fit

96628333 LEDFIT M 90W A/S CL1 L840

THORN