

# EyeKon LED

THORN

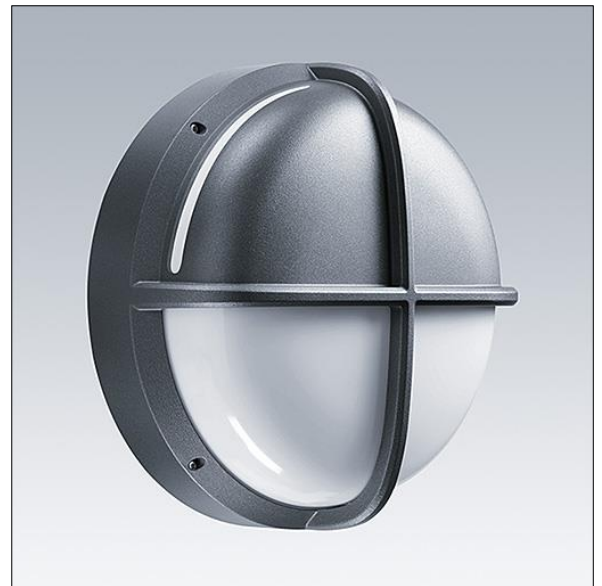
## 96665952 EYE HA LED400-830 HF S ANT

EN 55015	IP65	IK10	⊕	CE			850°C	T <sub>a</sub> -20 +35
----------	------	------	---	----	--	--	-------	---------------------------

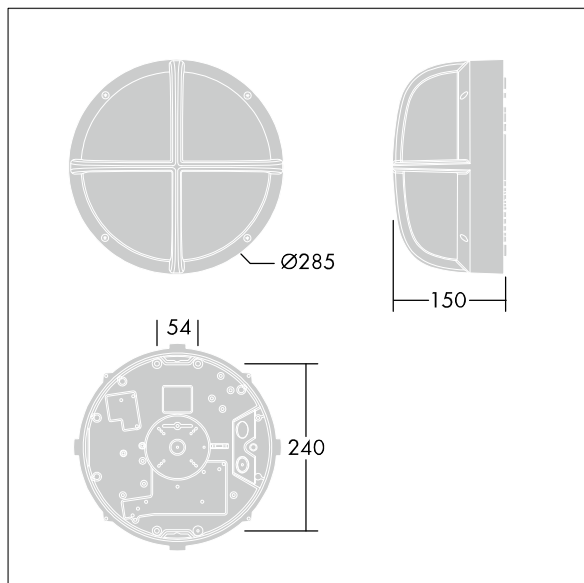
### EyeKon LED

Round, impact resistant LED bulkhead luminaire.  
Electronic, fixed output control gear. Class I electrical, IP65, IK10. Body: small size, die-cast aluminium (LM6), powder coated anthracite. Diffuser: opal polycarbonate with die-cast aluminium halo-visor feature. Electrical connection via 3 x 2 x 2.5mm<sup>2</sup> terminal block. Complete with 3000K LED

Dimensions: Ø285 x 150 mm  
Luminaire input power: 7 W  
Weight: 2.5 kg



TLG\_EYKN\_F\_SMHLOVSANTHOP.jpg



TLG\_EYKN\_M\_SML.wmf

This product contains a light source of energy efficiency class C.

All values marked with an \* are rated values. Thorn uses tried and tested components from leading suppliers, however there may be isolated instances of technology-related failures of individual LEDs during the rated product lifetime. International standards set the tolerance in initial flux and connected load at ±10%. Unless stated otherwise, the values apply to an ambient temperature of 25°C.

Thorn Lighting is constantly developing and improving its products. The right is reserved to change specifications without prior notification or public announcement.  
© Thorn Lighting