

Linn

96264339 LINN RCT BOLLARD GROUND BASE

THORN

Linn

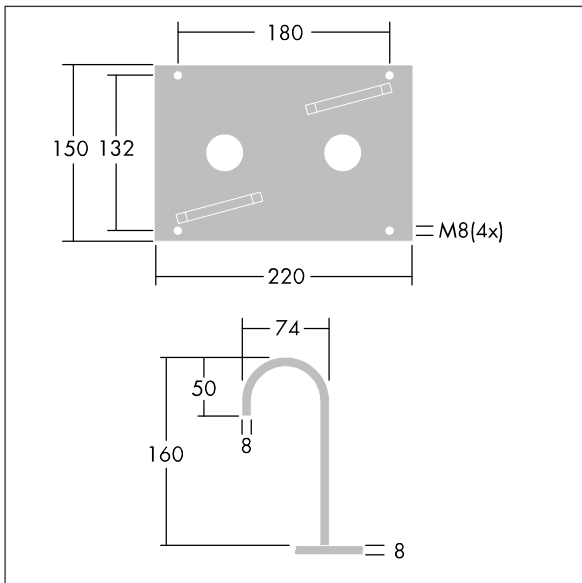
Galvanised iron flange for mounting of Linn bollard where concrete base is not pre-existing.

Dimensions: 220 x 150 x 160 mm

Weight: 2.5 kg



TLG_LINN_F_FLANGE.jpg



TLG_LINN_M_LDFLANGE.wmf