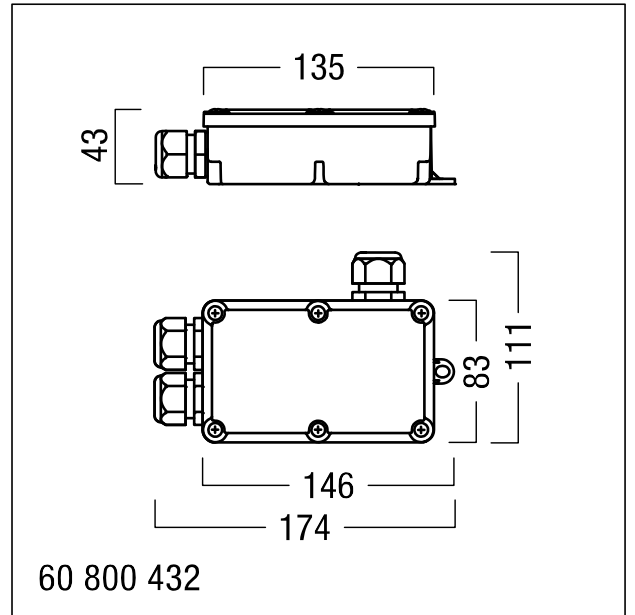


## MINI general-purpose box

MINI general-purpose box; IP67 degree of protection; can be used to connect up to 3 suitable cables (H07RNF, etc.); provides loop-in/loop-out facility for mains cables outside the luminaire housing; cable entry via 3 SW25 PG cable glands for cable Ø 4.3-11.9 mm; 4-pole connecting terminal for max. conductor cross-section of 2.5 mm<sup>2</sup>; Dimensions: 174 x 111 x 43 mm



ZS\_PAS\_F\_2\_BOX\_MINI\_IP67.jpg



ZS\_PAS\_M\_2\_BOX\_MI\_IP67.wmf