

Avenue Wall 300 II

96258554 AVENUE W300 II LED 12L35 730 CL2

ISO 9223 C3	IP65	IK09						T _a 25
----------------	------	------	--	--	--	--	--	-------------------

Avenue Wall 300 II

Avenue Deco wall light. Class II electrical (this product is not earthed), IP65, with opal polycarbonate bowl. Complete with integral control gear and 14W LED source. Complete with 3000K LED

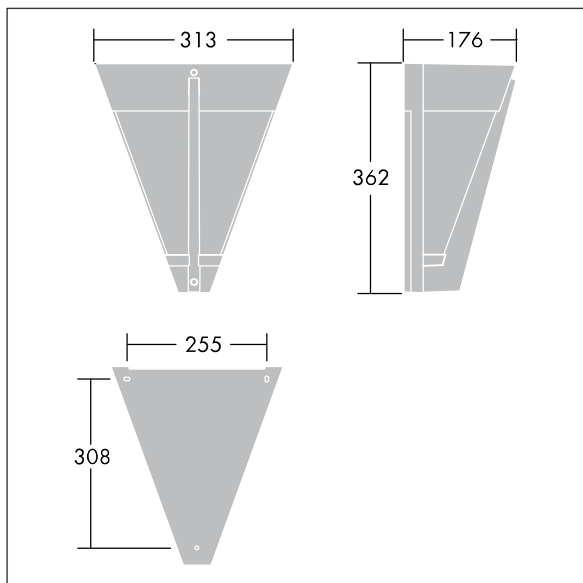
Dimensions: 313 x 176 x 362 mm

Luminaire input power: 15 W

Weight: 3.42 kg



TLG_AVNE_F_W300PDBUNLIT.jpg



TLG_AVED_M_LDW300.wmf

This product contains a light source of energy efficiency class D.