

Novaline Style

THORN

96635520 NOVS L 4000-840 DI HFI WH

IEC EN 60598-1 RG 1	RoHS	UK CA	IP54	D	halogen	IK08	CE	850°C	T _a -15 +25
---------------------------	------	----------	------	---	---------	------	----	-------	---------------------------

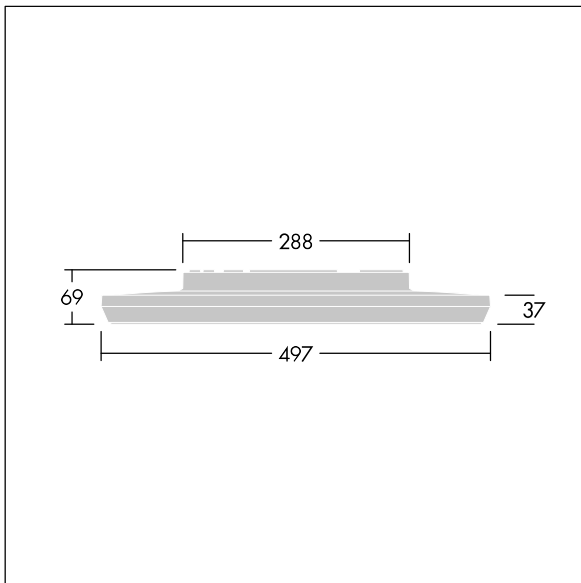
Novaline Style

Decorative circular luminaire with large body. Low indirect component for wall and ceiling illumination. Electronic, DALI dimmable. Aesthetic trim of the luminaire made of polycarbonate in white. Diffuser: opal polycarbonate. Class II electrical (this product is not earthed), IP54. Complete with 4000K LED.

Dimensions: Ø497 x 69 mm
Luminaire input power: 28.2 W
Luminaire luminous flux: 4000 lm
Luminaire efficacy: 142 lm/W
Weight: 2.89 kg



TLG_NOVS_F_5WH.jpg



TLG_NOVS_M_LD500.wmf

This product contains a light source of energy efficiency class C.

All values marked with an * are rated values. Thorn uses tried and tested components from leading suppliers, however there may be isolated instances of technology-related failures of individual LEDs during the rated product lifetime. International standards set the tolerance in initial flux and connected load at ±10%. Unless stated otherwise, the values apply to an ambient temperature of 25°C.

Thorn Lighting is constantly developing and improving its products. The right is reserved to change specifications without prior notification or public announcement.
© Thorn Lighting

Novaline Style

96635520 NOVS L 4000-840 DI HFI WH

THORN