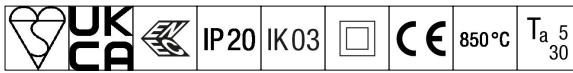


Voyager Fit

THORN

96629567 VOYAGER FIT MRC E3T NM

+ ANT: open area emergency optic



Voyager Fit

Self contained, ceiling recessed, emergency lighting luminaire with 3 hour, SelfTest, emergency lighting circuit, non-maintained. Housing: white (close to RAL9016) polycarbonate. Battery strap: red rubber incorporating cable. Suitable for mounting into ceiling thicknesses from 1 to 25mm. Class II electrical (this product is not earthed), IP20, IK03. Ceiling cut-out Ø40mm, void 80mm minimum. Pre-wired with 250mm, low smoke, halogen free 0.75mm² stranded cable with prepared ends. Complete with 6500K LED.

Interchangeable optics for anti-panic, escape route and spot applications included.

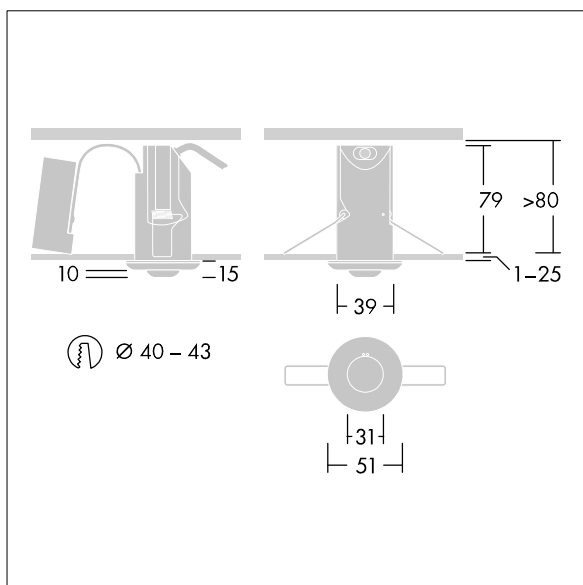
Dimensions: Ø51 x 94 mm
Weight: 0.23 kg

Self-contained emergency luminaires rely on long-lasting batteries. Voyager Fit's high-tech lithium iron phosphate battery is robust and comes with a three-year guarantee (applicable subject to the terms and conditions of and to the extent as set forth in the manufacturer's guarantee on Thorn products, which shall be applicable analogously and which is available under http://www.thornlighting.com/en/products/5-year-guarantee/5-year-warranty/terms-of-guarantee_en.pdf. The battery guarantee shall not come into effect if the product has been installed later than three (3) months after delivery EXW (Incoterms 2010).

Equipped with:
Optics polycarbonate lens for anti-panic emergency lighting.



TLG_VOYF_F_SET.jpg



TLG_VOYF_M_LD1.wmf

All values marked with an * are rated values. Thorn uses tried and tested components from leading suppliers, however there may be isolated instances of technology-related failures of individual LEDs during the rated product lifetime. International standards set the tolerance in initial flux and connected load at ±10%. Unless stated otherwise, the values apply to an ambient temperature of 25°C.

Thorn Lighting is constantly developing and improving its products. The right is reserved to change specifications without prior notification or public announcement.
© Thorn Lighting

Voyager Fit

96629567 VOYAGER FIT MRC E3T NM

+ ANT: open area emergency optic

THORN