

# Voyager Square

THORN

96635076 VOY SQUARE 220 P MSW ECC WH SP1-E002-D

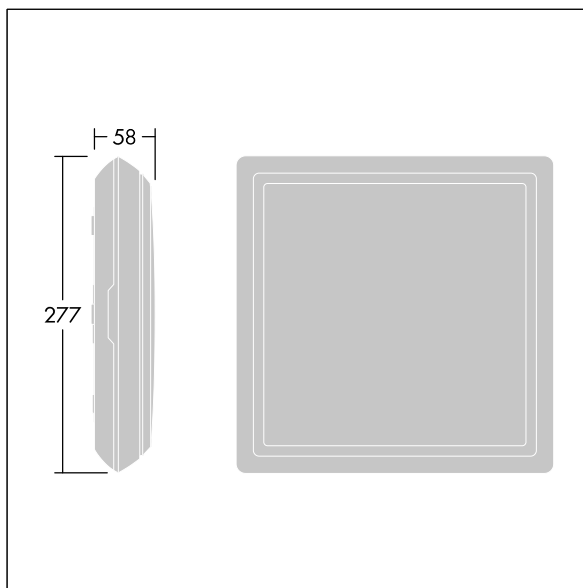
	IP65		IK10			850°C	$T_a$ -30 +35
---	------	---	------	---	---	-------	------------------

## Voyager Square

A slim, square, surface mounted, LED safety sign luminaire. Luminaire for central emergency light supply, with circuit monitoring, without single monitoring of the luminaire. NFC interface for maintenance via PROset Pen (article: 22170290) or PROset app. Power supply: 220-240 Vac ( $\pm 10\%$ ), 50/60 Hz; 176-280 Vdc. Body: injection moulded polycarbonate,. Diffuser: opal polycarbonate, with glued, printed emergency exit direction arrow (down) pictogram according to ISO 7010. Uniform backlighting of pictogram, luminance  $> 500 \text{ cd/m}^2$  in the white region and  $200 \text{ cd / m}^2$  on average in mains mode (according to DIN 4844),  $2 \text{ cd / m}^2$  minimum in emergency mode (according to EN 1838). Recognition distance according to EN 1838: 44m. Class II electrical, IP65, Impact strength: IK10. ambient temperature:  $-30^\circ\text{C}$  to  $+35^\circ\text{C}$ . Suitable for direct mounting to wall. Loop-in, loop-out is possible for cables up to  $2.5 \text{ mm}^2$ . BESA compatible. Food certificate (to be used in areas with fully packaged food). Luminaire wired with halogen free and silicone free leads. Luminaire with D symbol (for use in environments in which the accumulation of conductive dust on the luminaire can be expected).



TLG\_VYSQ\_F\_PDB\_D\_ON.jpg



TLG\_VYSQ\_M\_LD1.wmf

This product contains a light source of energy efficiency class C.

All values marked with an \* are rated values. Thorn uses tried and tested components from leading suppliers, however there may be isolated instances of technology-related failures of individual LEDs during the rated product lifetime. International standards set the tolerance in initial flux and connected load at  $\pm 10\%$ . Unless stated otherwise, the values apply to an ambient temperature of  $25^\circ\text{C}$ .

Thorn Lighting is constantly developing and improving its products. The right is reserved to change specifications without prior notification or public announcement.  
© Thorn Lighting

# Voyager Square

96635076 VOY SQUARE 220 P MSW ECC WH SP1-E002-D

THORN