

96634050 KAT RD 2400-840 HFI E3



Katona

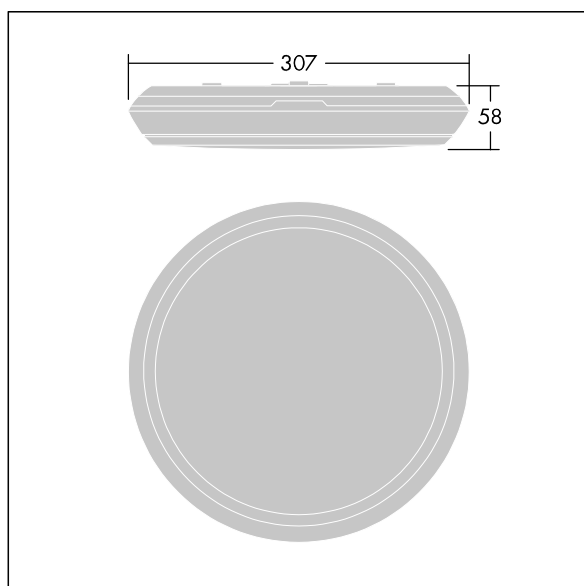
A very slim, round functional LED luminaire. DALI dimmable LED driver with 3 hour, manual test, emergency lighting circuit. Body: polycarbonate. Diffuser: opal polycarbonate. Class II electrical, IP65, IK10. Complete with 4000K LED. Suitable for direct mounting to wall or ceiling. Loop-in, loop-out is possible for cables up to 2.5mm². BESA compatible.

Dimensions: Ø307 x 58 mm
 Luminaire input power: 22.1 W
 Luminaire luminous flux: 2400 lm
 Luminaire efficacy: 109 lm/W
 Weight: 1.25 kg

Self-contained emergency luminaires rely on long-lasting batteries. This product's high-tech lithium iron phosphate battery is robust and comes with a three-year guarantee (applicable subject to the terms and conditions of and to the extent as set forth in the manufacturer's guarantee on Thorn products, which shall be applicable analogously and which is available under http://www.thornlighting.com/en/products/5-year-guarantee/5-year-warranty/terms-of-guarantee_en.pdf. The battery guarantee shall not come into effect if the product has been installed later than three (3) months after delivery EXW (Incoterms 2010))



TLG_KATO_F_RD_PDBCHARGE.jpg



TLG_KATO_M_RD_LDS.wmf

This product contains a light source of energy efficiency class C.

Katona

96634050 KAT RD 2400-840 HFI E3

THORN