

R2L2

96629821 R2L2 BRAX1 MA76 0,80M GRY UK

THORN

R2L2

Single arm bracket, with 10° tilt and welded decorative insert, for mounting R2L2 luminaire(s) on Ø76mm column.
Material: galvanised steel, painted texturised light grey.
Supplied in one piece with cable puller. Secured in position by 2 rows of 3 screws at 120°.

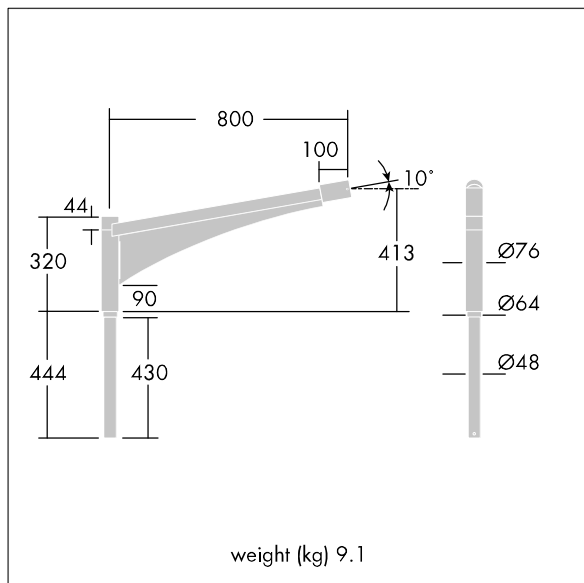
Dimensions: 800 x 60 x 850 mm

Weight: 1.6 kg

Scx:0.093 m²



TLG_R2L2_F_SINGLECOLM.jpg



TLG_R2L2_M_BRKSNG_76.wmf

All values marked with an * are rated values. Unless stated otherwise, the values apply to an ambient temperature of 25°C.

Thorn Lighting is constantly developing and improving its products. The right is reserved to change specifications without prior notification or public announcement.
© Thorn Lighting