

# Steel Stepped Columns and Accessories

## 96632575 ADAPTOR FOR STEP COL 10M 102MM-76MM

THORN

### Steel Stepped Columns and Accessories

Post top adaptor to fit on  $\text{Ø}102\text{mm}$  top spigot to reduce to  $\text{Ø}76\text{mm}$  spigot.

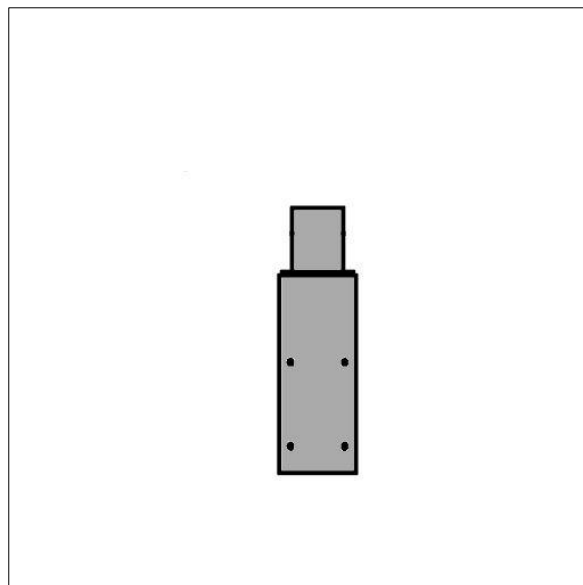
Weight: 4.83 kg (approx)

This adaptor is suitable for use with the following columns:

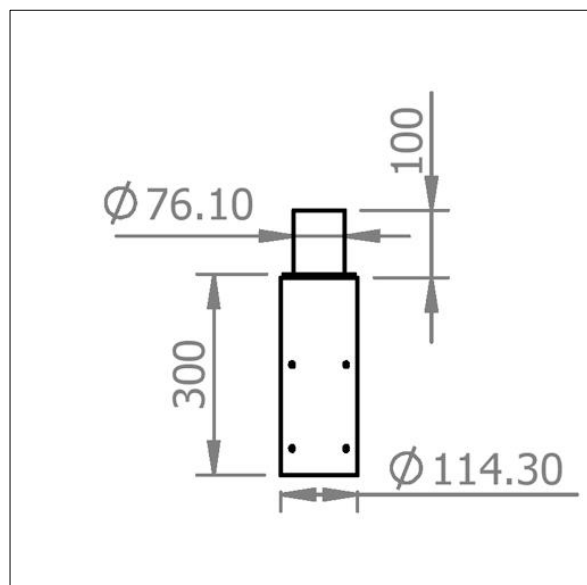
96632561 : 10m stepped column, root mounted,  $\text{Ø}102\text{mm}$  top spigot

96632562 : 10m stepped column, flange mounted,  $\text{Ø}102\text{mm}$  top spigot

Please note : Delivery charges will apply to this item.



TLG\_COLU\_F\_ADA106.jpg



TLG\_COLU\_M\_ADA107.wmf

All values marked with an \* are rated values. Unless stated otherwise, the values apply to an ambient temperature of 25°C.

Thorn Lighting is constantly developing and improving its products. The right is reserved to change specifications without prior notification or public announcement.  
© Thorn Lighting