

Areaflood Pro

96644828 AFP S 36L70-740 WR BS 3550 CL1 GY

ISO 9223 C5		IP66	IK08		CE			Ta-25 +35
----------------	--	------	------	--	----	--	--	--------------

Areaflood Pro

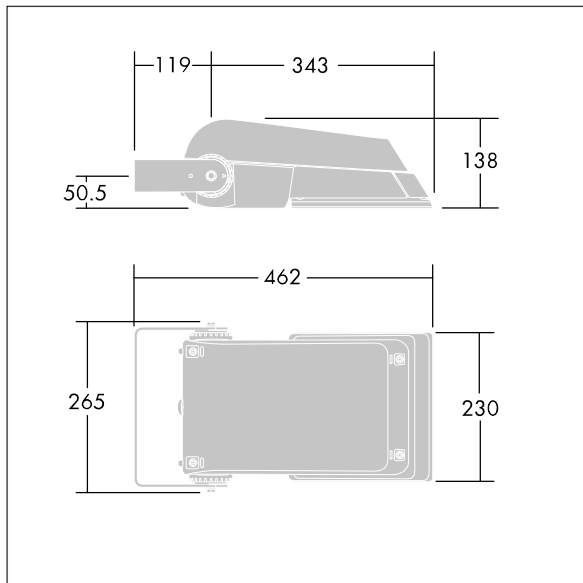
A compact, lightweight, general purpose LED area floodlight. With small body, driving 36 LEDs at 700mA with Wide Road light distribution. IP66, IK08, Class I electrical. Body: die-cast aluminium (EN AC-44300), Light grey 150 sanded textured (close to RAL9006).. Enclosure: 4mm thick toughened glass. Reversible mounting stirrup supplied, Complete with 4000K LED.

Not compatible with UrbaSens systems.

Dimensions: 462 x 265 x 139 mm
 Luminaire input power: 77 W
 Luminaire luminous flux: 11549 lm
 Luminaire efficacy: 150 lm/W
 weight: 6.27 kg
 Scx: 0.05 m²



TLG_AFLP_F_SMALLPDB.jpg



TLG_AFLP_M_SML.wmf

This product contains light sources of energy efficiency class E.

Areaflood Pro

96644828 AFP S 36L70-740 WR BS 3550 CL1 GY

THORN