

96272421 PLD O 18L105-740 R/S BS 3550 T60 CL1 GY

ISO 9223 C5			IP66	IK08						T _a 25
----------------	--	--	------	------	--	--	--	--	--	-------------------

Plurio

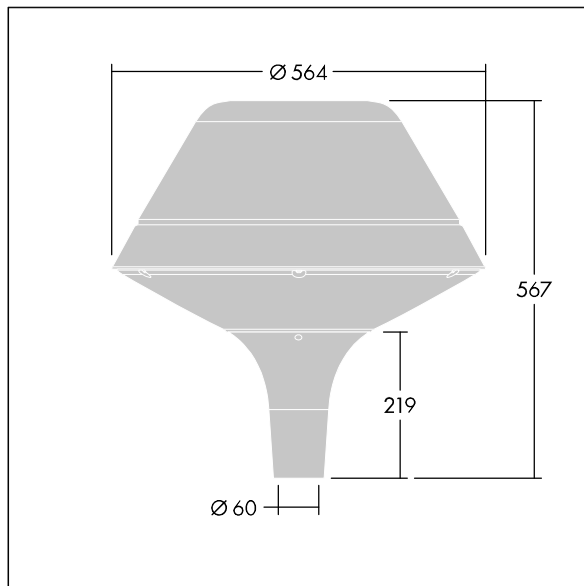
Plurio Direct: A decorative post-top LED lantern with radially symmetric distribution. LED driver with 18 LEDs driven at 1.05A. Class I electrical, IP66, IK08. Base: cast aluminium, powder coated silver-grey. Canopy: original shape, aluminium, textured silver-grey. Diffuser: UV stabilised, clear polycarbonate with anti-glare prisms. Direct, lens based optic with internal reflector. Equipped with 50% power reduction circuit, effective 3 hours before and 5 hours after a calculated midnight. It can be deactivated at installation with an easily accessible internal switch. Complete with 4000K LED. Post top mounting to Ø60mm column.

Upward lighting emissions below 1%.

Dimensions: Ø564 x 567 mm
 Luminaire input power: 59.6 W
 Luminaire luminous flux: 7034 lm
 Luminaire efficacy: 118 lm/W
 Weight: 9.5 kg
 Scx: 0.199 m²



TLG_PLRL_F_DOC_GY.jpg



TLG_PLRL_M_DOC_T60.wmf

This product contains a light source of energy efficiency class D.

All values marked with an * are rated values. Thorn uses tried and tested components from leading suppliers, however there may be isolated instances of technology-related failures of individual LEDs during the rated product lifetime. International standards set the tolerance in initial flux and connected load at ±10%. Unless stated otherwise, the values apply to an ambient temperature of 25°C.

Plurio

96272421 PLD O 18L105-740 R/S BS 3550 T60 CL1 GY

THORN