

## Avenue Wall 300 II

96259038 AVENUE W300 II LED 12L35 740 CL2

ISO 9223 C3	IP65	IK09						T <sub>a</sub> 25
----------------	------	------	--	--	--	--	--	-------------------

### Avenue Wall 300 II

Avenue Deco wall light. Class II electrical (this product is not earthed), IP65, with opal polycarbonate bowl. Complete with integral control gear and 14W LED source. Complete with 4000K LED

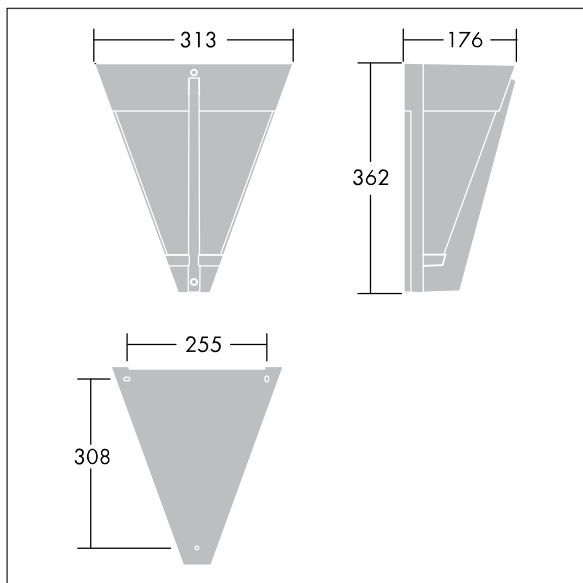
Dimensions: 313 x 176 x 362 mm

Luminaire input power: 15 W

Weight: 3.42 kg



TLG\_AVNE\_F\_W300PDBUNLIT.jpg



TLG\_AVED\_M\_LDW300.wmf

This product contains a light source of energy efficiency class D.

# Avenue Wall 300 II

96259038 AVENUE W300 II LED 12L35 740 CL2

THORN