

Technical Information

Design

BSEN40, PD6547: 2004+A1: 2009 (No sign)

Loading class B

Deflection class 3

Head load- See Table

Finish

Galvanised to BSEN 1461:2009

Welding

In accordance with BSEN1011

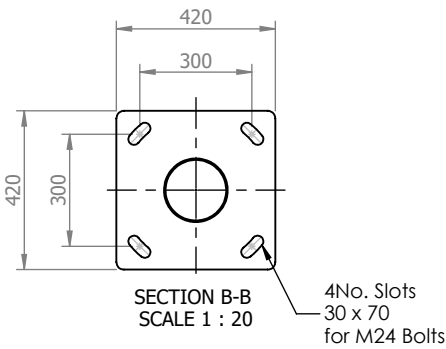
Procedures to BSEN ISO 15614-1:2017

Welders qualified to BSEN ISO 9606-1:2017

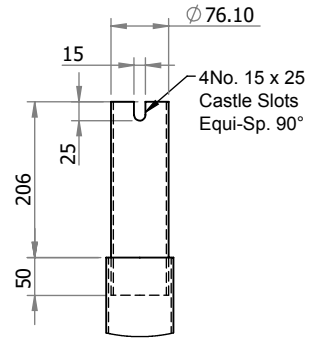
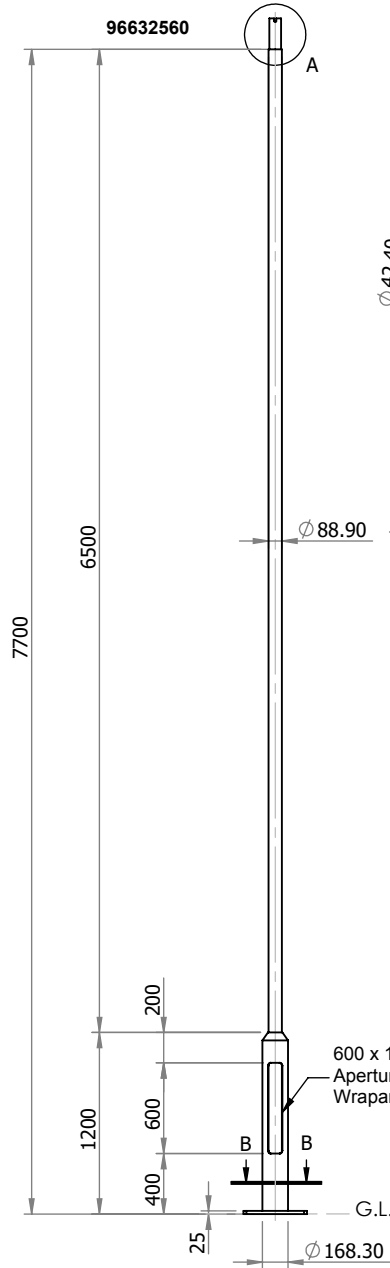
*Maximum design head load based on wind loading region with orientation of bracket/ luminaire(s) being on the same plane as door

Approximate Column Weight: 97.32kg

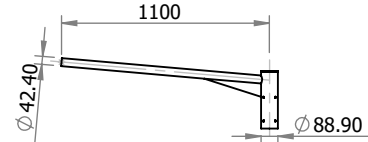
Maximum Loading including Bracket		
Wind Loading Region	Terrain Category	Weight/Area
Extra Light	I	45kg/0.40m ²
	II	55kg/0.50m ²
Light	I	40kg/0.34m ²
	II	48kg/0.43m ²
Medium	I	30kg/0.32m ²
	II	40kg/0.40m ²
Heavy	I	28kg/0.29m ²
	II	36kg/0.36m ²
Extra Heavy	I	22kg/0.22m ²
	II	30kg/0.25m ²



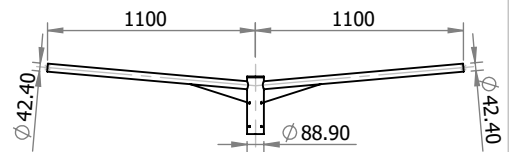
3rd Angle



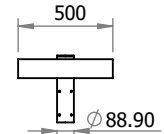
DETAIL A
SCALE 1 : 10



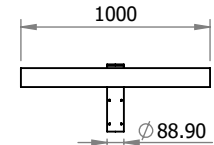
96632572 - Single Arm Bracket
Approx. Weight: 7.15kg



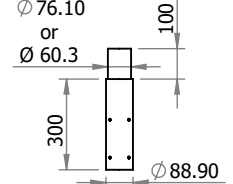
96632573 - Twin Arm Bracket
Approx. Weight: 11.19kg



96632568 - Single Flood Light Bracket
Approx. Weight: 6.22kg



96632569 - Double/Quad Flood Light Bracket
Approx. Weight: 9.62kg



96632570 - Ø60mm Post Top Adaptor
Approx. Weight: 3.43kg

96632571 - Ø76mm Post Top Adaptor
Approx. Weight: 3.78kg

THORN
LIGHTING

Notes

All dimensions in millimetres unless stated otherwise.

When Multiple views are shown 3rd Angle Projection is assumed.

Title

8 Metre Stepped/Tubular Flange Plated Post Top Column

Drg No. 35924-1

Scale:1:50

Sheet 1 of 1