



96271616 EFACT C1 4L50 SOFT BLU AL FR

IP67	IK09		
------	------	---	---

E/Fact

A medium square ground recessed luminaire. 4 LED(s) driven at 500mA by integral driver for walkover guidance applications. Body: die-cast aluminium with powdered paint finish. Frame: painted aluminium, 2mm thick. Front glass: frosted toughened sodic glass, 10mm thick, surface temperature complies with EN60598-2-13. Recessing box: polypropylene. Rated IP67, class I electrical. Maximum static load 1000kg. Complete with blue LED

Dimensions: 186 x 186 x 202 mm

Total power: 6.3 W

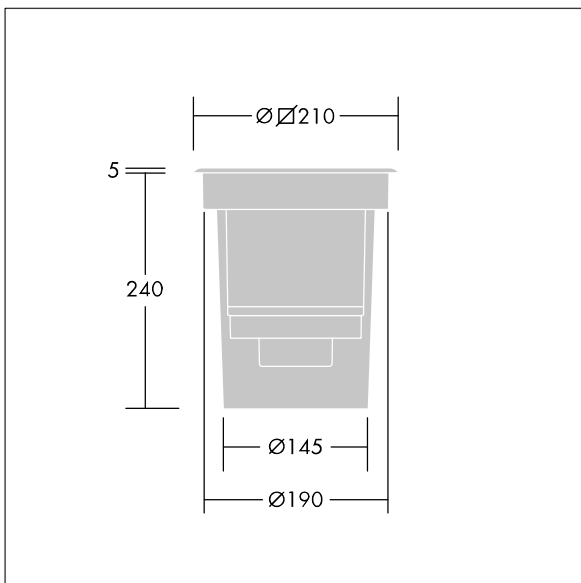
Luminaire luminous flux: 15 lm

Luminaire efficacy: 2 lm/W

Weight: 3.59 kg



TLG_EFCT_F_C1FRAL2.jpg



TLG_EFCT_M_2015LD1AL.wmf

All values marked with an * are rated values. Thorn uses tried and tested components from leading suppliers, however there may be isolated instances of technology-related failures of individual LEDs during the rated product lifetime. International standards set the tolerance in initial flux and connected load at $\pm 10\%$. Colour temperature is subject to a tolerance of up to ± 150 Kelvin from the nominal value. Unless stated otherwise, the values apply to an ambient temperature of 25°C .

In most products the failure of one LED point causes no functional impairment to the lighting performance of the luminaire and is therefore no reason for complaint. Unless otherwise stated all Thorn LED products are suitable for unrestricted use (rated RG0 or RG1) with regard photobiological blue light safety (IEC/EN60598-1).

Thorn Lighting is constantly developing and improving its products. The right is reserved to change specifications without prior notification or public announcement.
© Thorn Lighting

E/Fact

96271616 EFACT C1 4L50 SOFT BLU AL FR

THORN