

Chalice Pro

THORN

96642632 CHAL PRO LED1600-940 HFIX RMB W6



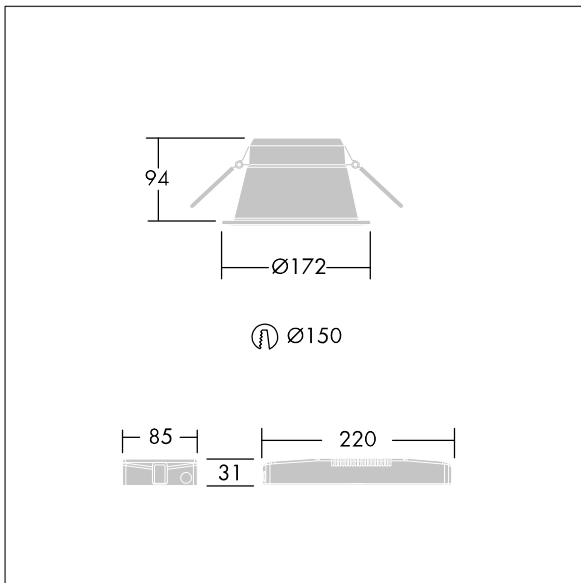
Chalice Pro

A recessed LED downlight. Remote DALI dimmable control gear. IP54 (IP20 from above), Class I electrical, UGR<19. Body: aluminium, painted. Reflector: mirrorbrite. Suitable for mounting in ceiling thicknesses of 1-40mm in a Ø150mm cut-out. Complete with 4000K LED.

Dimensions: Ø172 x 94 mm
Total power: 18.1 W
Luminaire luminous flux: 1600 lm
Luminaire efficacy: 88 lm/W
Weight: 0.71 kg



TLG_CHLP_F_RMBPDB.jpg



TLG_CHLP_M_DL1.wmf

All values marked with an * are rated values. Thorn uses tried and tested components from leading suppliers, however there may be isolated instances of technology-related failures of individual LEDs during the rated product lifetime. International standards set the tolerance in initial flux and connected load at ±10%. Colour temperature is subject to a tolerance of up to +/-150 Kelvin from the nominal value. Unless stated otherwise, the values apply to an ambient temperature of 25°C.

In most products the failure of one LED point causes no functional impairment to the lighting performance of the luminaire and is therefore no reason for complaint. Unless otherwise stated all Thorn LED products are suitable for unrestricted use (rated RG0 or RG1) with regard photobiological blue light safety (IEC/EN60598-1).

Thorn Lighting is constantly developing and improving its products. The right is reserved to change specifications without prior notification or public announcement.
© Thorn Lighting