



# Altis

# THORN

96267922 ALTIS 2KW R1 HO/HF DGE CL1 WI SC

IP66 IK08  

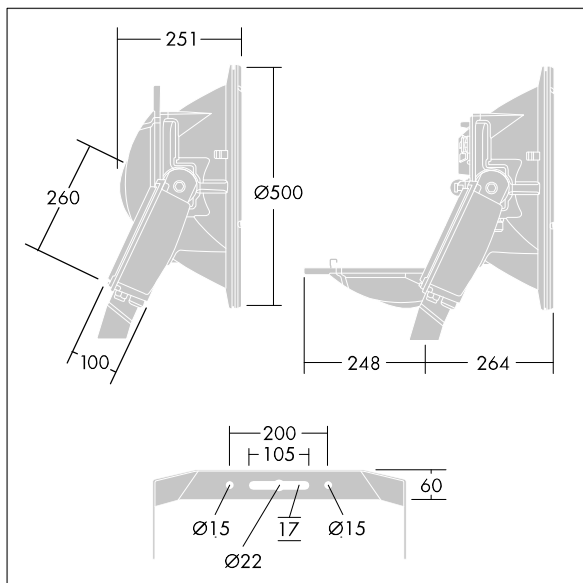
## Altis

A high performance discharge floodlight for 1 x 2000W HQI-TS/D/S ECG lamp operating with dedicated Electronic, fixed output control gear. Ideal for televised sports events for the flicker free viewing of super slow images. Class I electrical, IP66. Body and frame: die-cast aluminium unpainted. Enclosure: 4mm thermally toughened glass. Stirrup fixed by single bolt through  $\text{Ø}22\text{mm}$  hole, or 105x17mm oblong hole, or by twin bolts through  $\text{Ø}15\text{mm}$  holes. Cable gland for 8 to 12mm cable. Aiming via integrated sights or optional precision aiming device. Complete with ignitor box. Gear tray to be ordered separately. Lamp to be ordered separately.

Total power: 2200 W  
Dimensions: 566 x 626 x 285 mm  
Weight: 14.4 kg  
Scx: 0.21 m<sup>2</sup>



TLG\_ALTI\_F\_STANDPDB.jpg



TLG\_ALTI\_M\_LDBACK.wmf

All values marked with an \* are rated values. Unless stated otherwise, the values apply to an ambient temperature of 25°C.

Thorn Lighting is constantly developing and improving its products. The right is reserved to change specifications without prior notification or public announcement.  
© Thorn Lighting

**Altis**

**96267922 ALTIS 2KW R1 HO/HF DGE CL1 WI SC**

**THORN**