

ImpactForce

THORN

96240462 IMPACTF2 2X49W T16 HFI TW L840

IP65	IK08			850°C
------	------	---	---	-------

ImpactForce

A high performance IP65 dust and moisture resistant luminaire with a high impact resistance. For 2 x 49W T16 lamp(s) with Electronic, DALI / DSI digital dimmable control gear circuit. Class I electrical. Canopy in light grey glass fibre reinforced polyester. Diffuser in polycarbonate with internal prisms. For surface or suspended mounting. Quick-fix installation brackets are supplied for surface mounting, optional accessory kits are available to help with other mounting options. Equipped with through wiring kit. Complete with 840 lamp(s).

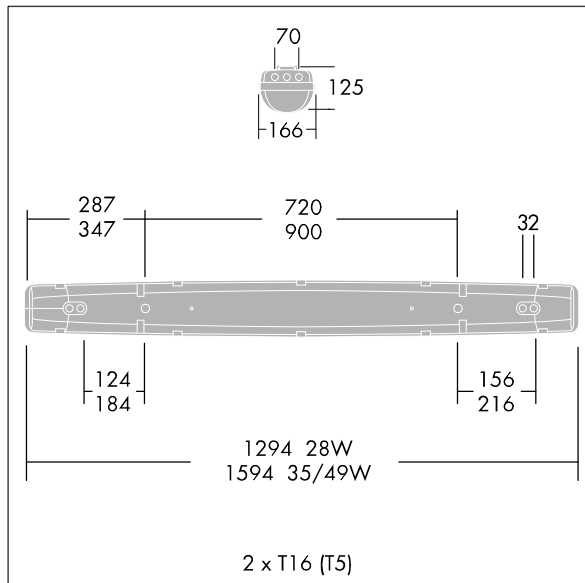
Dimensions: 1594 x 167 x 125 mm

Total power: 105.5 W

Weight: 3.17 kg



TLG_XFRC_F_COL1.jpg



TLG_XFRC_M_TWLD16.wmf

All values marked with an * are rated values. Unless stated otherwise, the values apply to an ambient temperature of 25°C.

Thorn Lighting is constantly developing and improving its products. The right is reserved to change specifications without prior notification or public announcement.
© Thorn Lighting

ImpactForce

96240462 IMPACTF2 2X49W T16 HFI TW L840

THORN