

## Optus IV Suspended

96548384 OPTUS IV DI 2X49W HF GRY DSB E3 L840

IP20  

### Optus IV Suspended

A suspended luminaire with a modern slim design, suitable for both office and school applications. For 2x49W T16 lamp(s). electronic - fixed output. Body: extruded aluminium with powder coated aluminium matt grey finish. End Caps: die-cast zinc and satinbrite louvre in anodised aluminium. 60:40 direct/indirect light distribution. Class I electrical, IP20. Electrical connection via factory fitted 4 x 0.75mm<sup>2</sup> non halogen cable. Pre-mounted Quick Lock wire suspension kit included. Complete with 840 lamp(s).

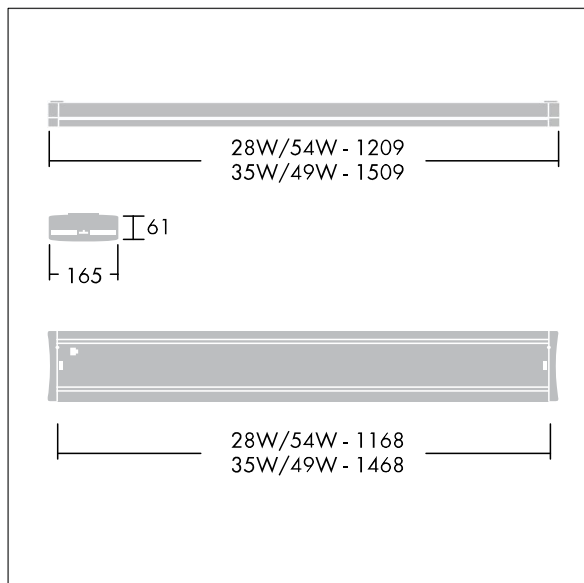
Dimensions: 1509 x 165 x 61 mm

Total power: 110.6 W

Weight: 3.2 kg



TLG\_OPT4\_F\_DISGL.jpg



TLG\_OPT4\_M\_SUSP.wmf