

## Discontinued

96548112 <POPPACK PRO REFL DSB 1/2X58

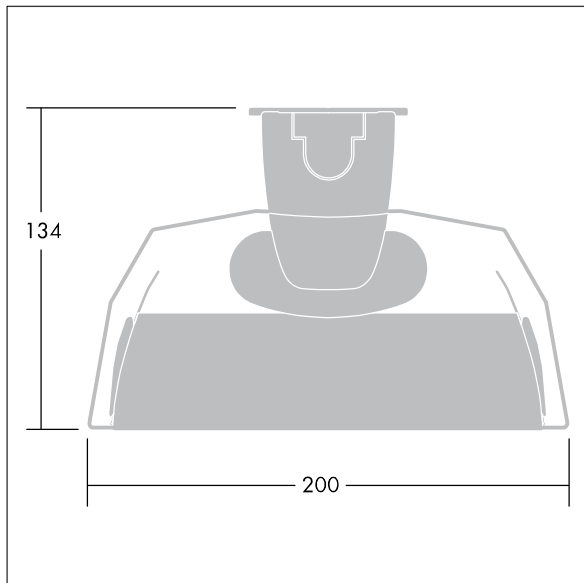
### Discontinued

A white steel LiteLine reflector for PopPack Pro batten with single or twin 58W lamps with satinbrite louvre insert. Can be fitted to the luminaire without the need of any tools.

Dimensions: 1540 x 200 x 90 mm, weight: 1 kg



TLG\_POPP\_F\_CLASSREFLDSB.jpg



TLG\_POPP\_M\_LDLITELREFDSBLV.wmf