

## Discontinued

### 96548111 POPPACK PRO REFL DSB 1/2X36

THORN

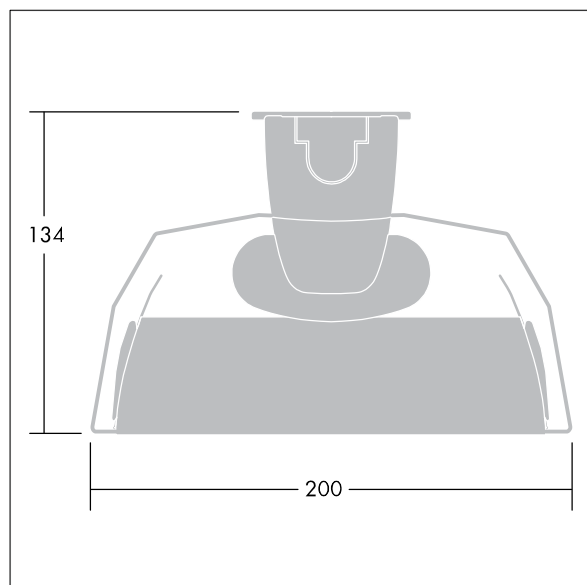
## Discontinued

A white steel LiteLine reflector for PopPack Pro batten with single or twin 36W lamps with satinbrite louvre insert. Can be fitted to the luminaire without the need of any tools.

Dimensions: 1235 x 200 x 90 mm, weight: 0.9 kg



TLG\_POPP\_F\_CLASSREFLDSB.jpg



TLG\_POPP\_M\_LDLITELREFDSBLV.wmf