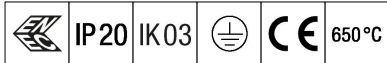


# Diffusalux

# THORN

96535883 DIFFUSALUX 1X49W HF PS CL L840



## Diffusalux

High performance IP20 surface mounted general purpose fluorescent luminaire for 1 x 49W T16 lamp(s) with electronic - fixed output circuit. Body in white painted steel, endcaps in white polycarbonate with a curved, precision extruded clear prismatic polystyrene diffuser. Ø21.5mm cable entry hole in the centre of the back spine with optional cable entry through each end cap. Fitting supplied with innovative "quick fix" horseshoe and sliding washers for direct screw fixing to surface, fixing centres 1425mm. Standard BESA fixings. Can be suspended using wire suspension accessory kit (to be ordered separately). 5 x 2 x 2,5mm<sup>2</sup> piano key terminal block. Complete with 840 lamp (s).

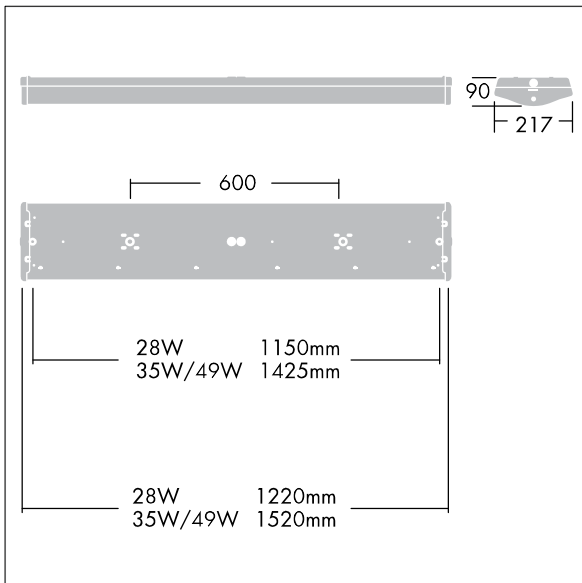
Dimensions: 1520 x 217 x 90 mm

Total power: 52.3 W

Weight: 4.6 kg



TLG\_DFX2\_F\_CPL.jpg



TLG\_DFLX\_M\_LD2.wmf

All values marked with an \* are rated values. Unless stated otherwise, the values apply to an ambient temperature of 25°C.

Thorn Lighting is constantly developing and improving its products. The right is reserved to change specifications without prior notification or public announcement.  
© Thorn Lighting

**Diffusalux**

**96535883 DIFFUSALUX 1X49W HF PS CL L840**

**THORN**