

Discontinued

96238467 LEOPARD 1X38W TC-DDEL HF PR RD BLK L840

IP65	IK10			850°C	T _a 25
------	------	---	---	-------	-------------------

Discontinued

A round bulkhead luminaire for 1 x 38W TC-DDEL lamp. electronic - fixed output circuit. black body with prismatic polycarbonate plastic diffuser. Electrical safety class I. Ingress protection IP65. Supplied with 840 lamp.

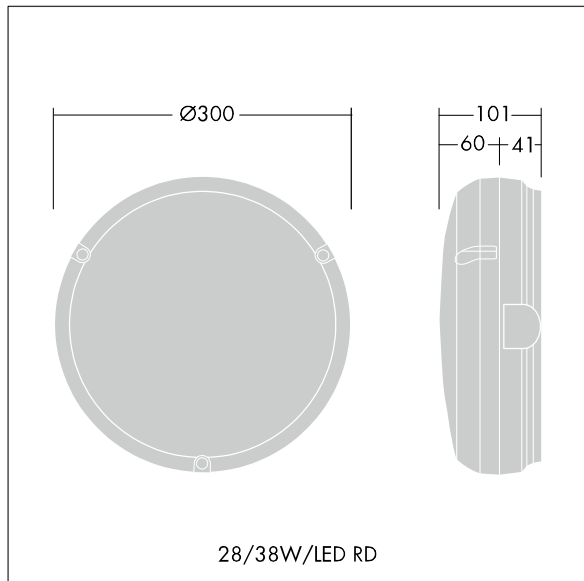
Dimensions: Ø300 x 101 mm

Total power: 40 W

Weight: 1.8 kg



TLG_LPRD_F_SRPB.jpg



TLG_LPRD_M_RL.wmf

Discontinued

96238467 LEOPARD 1X38W TC-DDEL HF PR RD BLK L840

THORN