

# Steel Sports/Large Floodlighting Columns (QTCH)

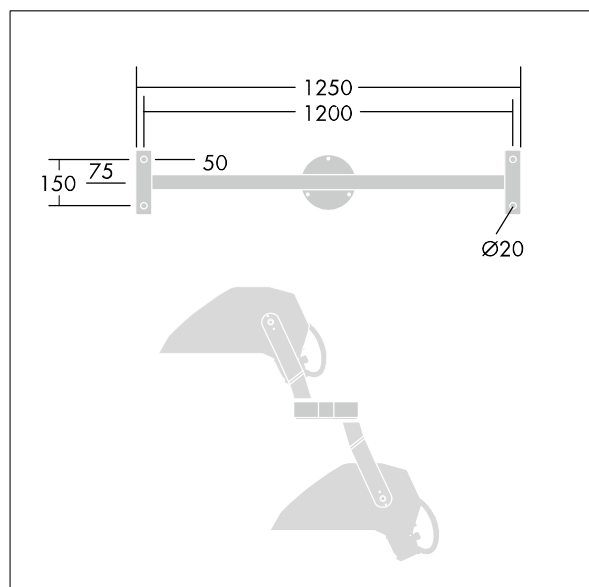
THORN

96227036 QTCH BRAX4

## Steel Sports/Large Floodlighting Columns (QTCH)

Steel Sports/Large Floodlighting Columns (QTCH)  
Quadruple IN-LINE 2 UP/2 DOWN bracket for Champion floodlight, use only with type TCH columns.

Weight: 11 kg



TLG\_QTCH\_M\_Diag 12.wmf