

Leopard

THORN

96230488 LEOPARD 1X28W TC-DDEL HF E3 OP SQ WHI 40

IP65 IK10   850°C T_a25

A range of low energy square and round bulkheads integral emergency available in black or white with a choice of diffuser options.

A square bulkhead luminaire, with emergency lighting function, for 1 x 28W TC-DDEL lamp. Combined HF & EM SC circuit with Self contained luminaire, manual test (3 hours) emergency circuit. white body with opal polycarbonate plastic diffuser. Electrical safety class I. Ingress protection IP65. Supplied with 840 lamp.

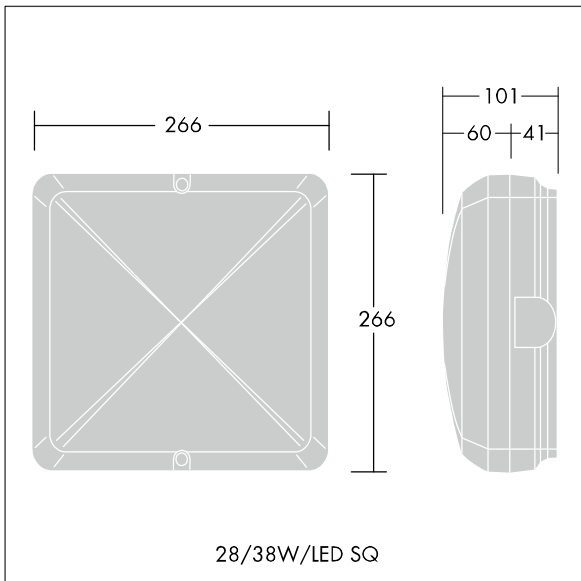
Dimensions: 266 x 266 x 101 mm

Total power: 26 W

Weight: 2.8 kg



TLG_LPRD_F_LSWO.jpg



TLG_LPRD_M_LS.wmf

All values marked with an * are rated values. Unless stated otherwise, the values apply to an ambient temperature of 25°C.

Thorn Lighting is constantly developing and improving its products. The right is reserved to change specifications without prior notification or public announcement.
© Thorn Lighting